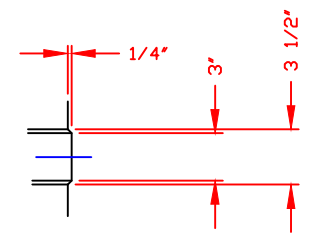
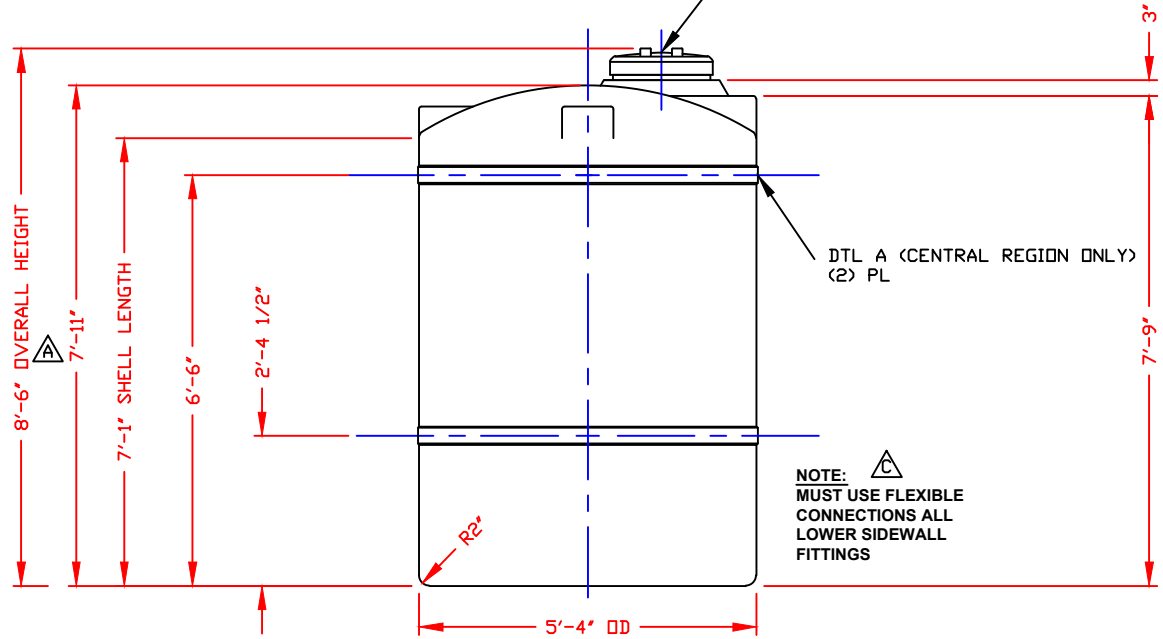
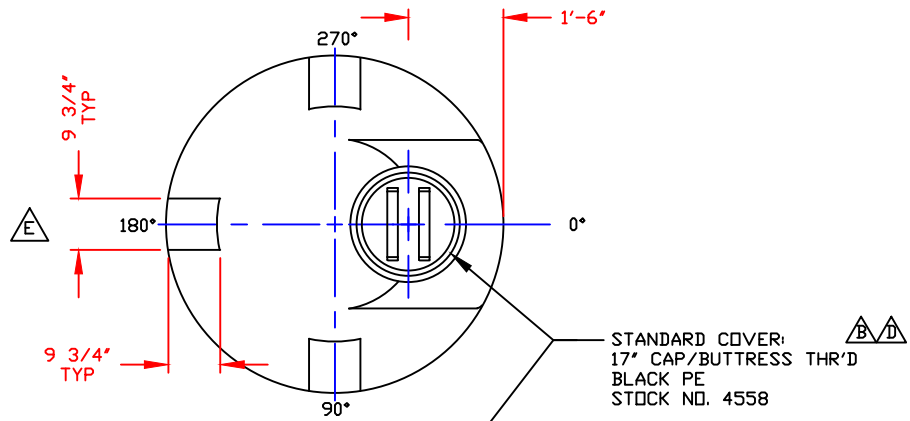


NON-CONTROLLED COPY  
 INFORMATION SUBJECT TO CHANGE WITHOUT NOTICE  
 VERIFY REV LEVEL OF PAPER COPY WITH REV LEVEL ON PPC WEB SITE



DETAIL A  
 MOLDED STIFFENER BAND  
 (2) PLACES  
 SCALE: 1 1/2"=1'0"

NOZZLE SCHEDULE & ACCESSORIES						
SERVICE	MK	STOCK NO.	SIZE	FITTING	DEG	ELEV

- NOTES
- THIS IS A COMPUTER GENERATED DWG. DO NOT REVISE BY HAND.
  - DIMENSIONS WILL VARY ±3% DUE TO VARIATIONS IN MULTIPLE MOLDS & CONDITIONS PREVALENT DURING MANUFACTURE & USAGE.
  - 4" WIDE MOLDED IN GALLONAGE MARKERS AT APPROX. 15" UP TO 1000 GAL. AVOID WHEN FITTING, CENTRAL REGION.
  - 4" WIDE MOLDED IN GALLONAGE MARKERS AT APPROX. 6" UP TO 1000 GAL. AVOID WHEN FITTING, EASTERN REGION.

CALCULATED CAPACITIES/ VOLUME IN U.S. GALLONS		
DESIGN CAP	DOME VOL	TOTAL VOL
1168	61	1229

CONFIDENTIAL PROPERTY OF  
 PDLY PROCESSING COMPANY  
 NOT FOR REPRINT OR USE  
 WITHOUT PERMISSION

DWG TITLE <b>1150 GALLON UPRIGHT TANK</b>			
SCALE: 1/2"=1'-0"		Central Region P.O. Box 4180 GRIBED 2524 Old Sherington Rd. Norwego, LA 71055 (504) 343-7863 FAX (504) 343-8795	DR: MB WILKERSON
DATE: 9/22/99		CK: D. RECTOR	
SHEET 1 OF 1		COMPUTER FILE 1001150	REV E

REV "E" ADDED FTG FLATS TO DOME BY:JB 12/31/12 CK:WM
REV "D" REVISED COVER BY:JB 7/23/09 CK:WM
REV "C" ADDED FITTING NOTE BY:MBW 2/11/03 CK:JB
REV "B" REVISED LID BY:MBW 2/11/03 CK:JB
REV "A" ADDED DIMENSION BY:JB 10/15/02 CK:MBW