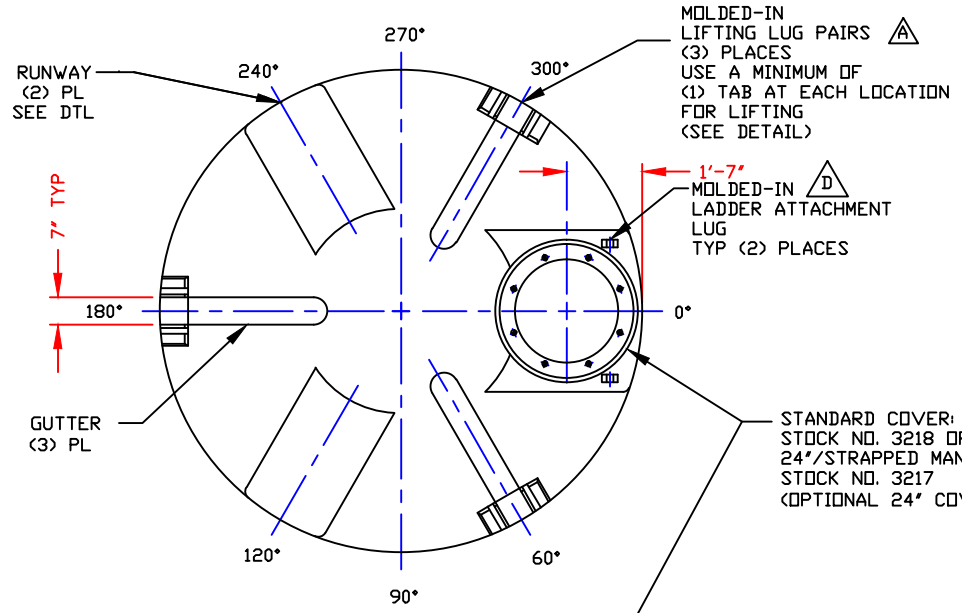


NON-CONTROLLED COPY
 INFORMATION SUBJECT TO CHANGE WITHOUT NOTICE
 VERIFY REV LEVEL OF PAPER COPY WITH REV LEVEL ON PPC WEB SITE

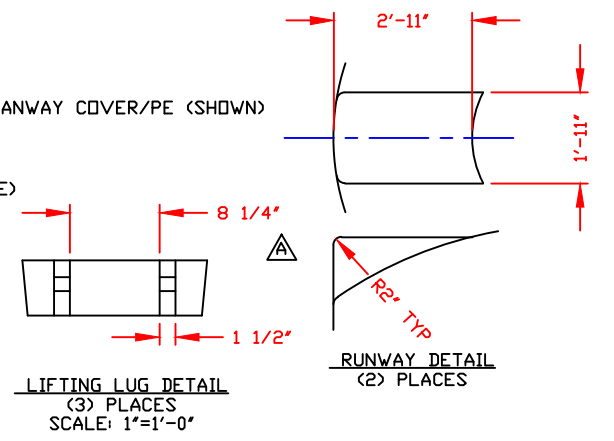


MOLDED-IN LIFTING LUG PAIRS (3) PLACES USE A MINIMUM OF (1) TAB AT EACH LOCATION FOR LIFTING (SEE DETAIL)

MOLDED-IN LADDER ATTACHMENT LUG TYP (2) PLACES

STANDARD COVER: 24\"/>

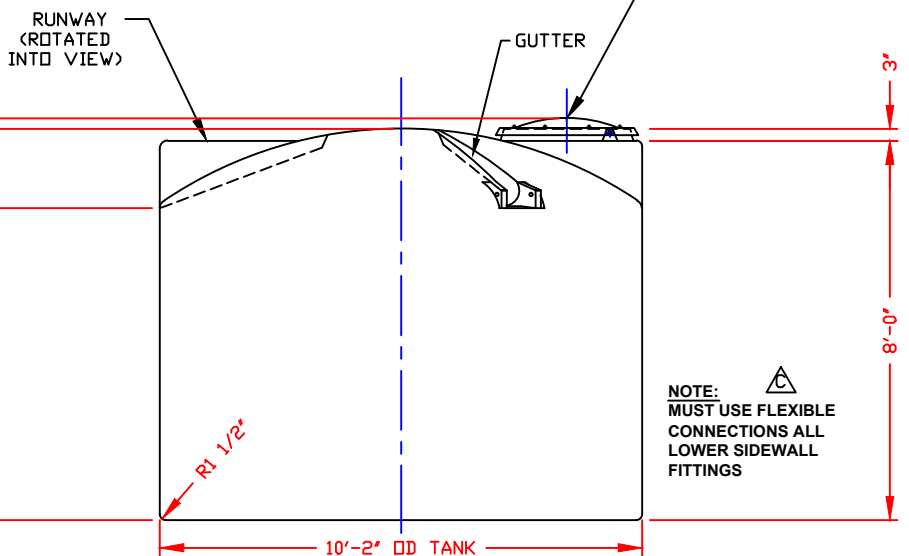
NOZZLE SCHEDULE & ACCESSORIES						
SERVICE	MK	STOCK NO.	SIZE	FITTING	DEG	ELEV



- NOTES**
- THIS IS A COMPUTER GENERATED DWG. DO NOT REVISE BY HAND.
 - NO MOLDED IN GALLONAGE MARKERS THIS TANK.
 - DIMENSIONS WILL VARY ±3% DUE TO VARIATIONS IN MULTIPLE MOLDS & CONDITIONS PREVALENT DURING MANUFACTURE & USAGE.

CALCULATED CAPACITIES/ VOLUME IN U.S. GALLONS		
DESIGN CAP	DOME VOL	TOTAL VOL
3944	419	4363

CONFIDENTIAL PROPERTY OF
 POLY PROCESSING COMPANY
 NOT FOR REPRINT OR USE
 WITHOUT PERMISSION



NOTE:
 MUST USE FLEXIBLE CONNECTIONS ALL LOWER SIDEWALL FITTINGS

REV 'C' ADDED FITTING NOTE BY:MBW 2/17/03 CK:JB
REV 'B' ADDED DIMENSION BY:JB 10/18/02 CK:MBW
REV 'A' ADDED LIFTING LUGS & DETAILS BY:JB 5/7/02 CK:MBW

DWG TITLE 3850 GALLON UPRIGHT TANK				Central Region P.O. Box 4189 Grand 2811 Old Stonehenge Rd. Norcross, GA 30052 (770) 343-7825 FAX (770) 343-9795		DR: D. RECTOR CK: J. BRANTLEY	
SCALE: 3/8"=1'-0"	DATE: 8-16-99	SHEET 1 OF 1	COMPUTER FILE 1003850	REV D			

REV 'D' ADDED LADDER ATCH LUGS BY:JB 9/10/12 CK:CD