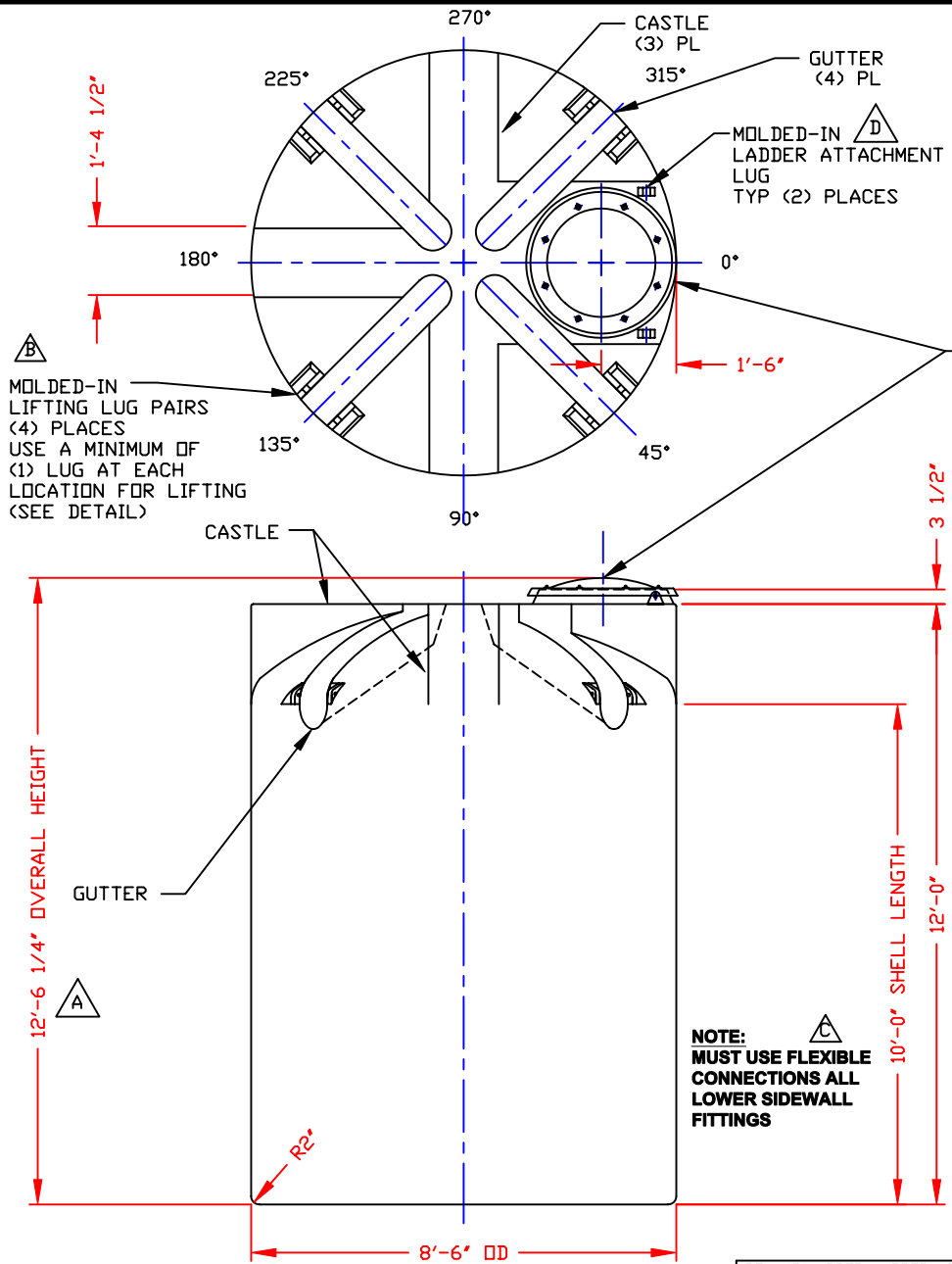
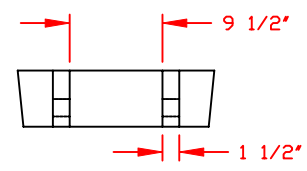


NON-CONTROLLED COPY
 INFORMATION SUBJECT TO CHANGE WITHOUT NOTICE
 VERIFY REV LEVEL OF PAPER COPY WITH REV LEVEL ON PPC WEB SITE

NOZZLE SCHEDULE & ACCESSORIES					
SERVICE	MK	STOCK NO.	SIZE	FITTING	DEG ELEV



STANDARD COVER:
 24"/(8) BOLT MANWAY COVER/PE (SHOWN)
 STOCK NO. 3218 OR
 24"/STRAPPED MANWAY COVER/PE
 STOCK NO. 3217
 (OPTIONAL 24" COVERS AVAILABLE)



LIFTING LUG DETAIL
 (4) PLACES
 SCALE: NONE

- NOTES**
- THIS IS A COMPUTER GENERATED DWG. DO NOT REVISE BY HAND.
 - DIMENSIONS WILL VARY $\pm 3\%$ DUE TO VARIATIONS IN MULTIPLE MOLDS & CONDITIONS PREVALENT DURING MANUFACTURE & USAGE.
 - NO MOLDED IN GALLONAGE MARKERS THIS TANK.

CALCULATED CAPACITIES/ VOLUME IN U.S. GALLONS		
DESIGN CAP	DOME VOL	TOTAL VOL
4162	245	4407

CONFIDENTIAL PROPERTY OF
 POLY PROCESSING COMPANY
 NOT FOR REPRINT OR USE
 WITHOUT PERMISSION

DWG TITLE		4150 GALLON UPRIGHT TANK	
SCALE: 3/8"=1'-0"		Central Region P.O. Box 4150 (7121) 2201 Old Stoneington Rd. Marrero, LA 71203 504-343-7565 FAX 504-343-0795	DR: MB WILKERSON CK: J. BRANTLEY
DATE: 10/12/99		SHEET	COMPUTER FILE
		1 OF 1	1004150 D

REV "D" ADDED LADDER ATTACHMENT LUGS BY:JB 7/8/04 CK:MW
REV "C" ADDED FITTING NOTE BY:MBW 2/17/03 CK:JB
REV "B" ADDED LIFTING LUGS & DETAIL BY:JB 1/16/03 CK:MW
REV "A" ADDED DIMENSION BY:JB 10/18/02 CK:MBW