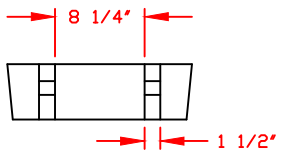
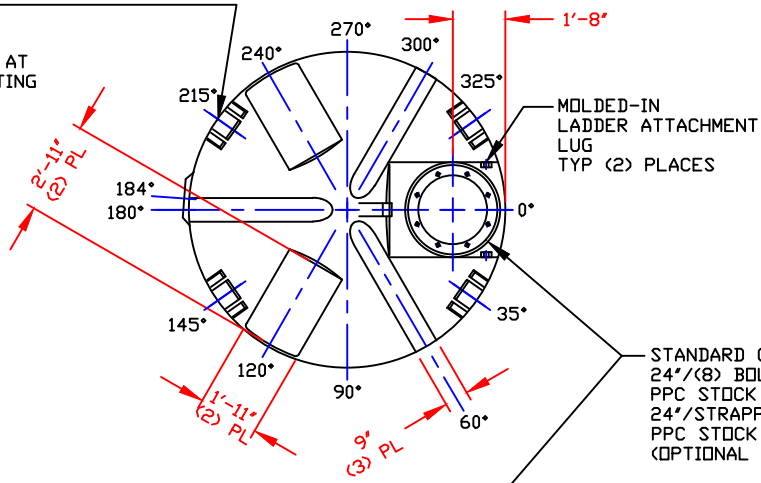


NON-CONTROLLED COPY
 INFORMATION SUBJECT TO CHANGE WITHOUT NOTICE
 VERIFY REV LEVEL OF PAPER COPY WITH REV LEVEL ON PPC WEB SITE

MOLDED-IN LIFTING LUG PAIRS
 (4) PLACES
 USE MINIMUM OF (1) LUG AT EACH LOCATION FOR LIFTING
 (SEE DETAIL)

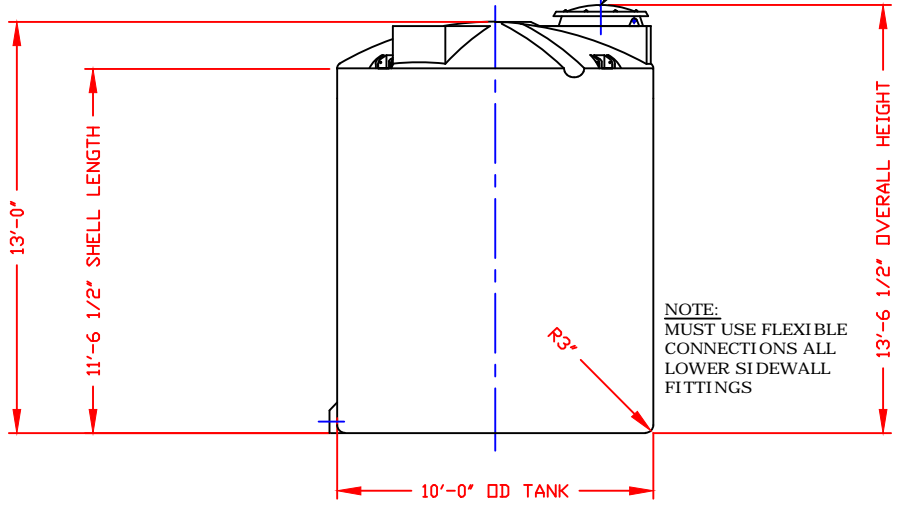


LIFTING LUG DETAIL
 (4) PLACES
 SCALE: 1"=1'-0"



MOLDED-IN LADDER ATTACHMENT LUG
 TYP (2) PLACES

STANDARD COVER:
 24"/(8) BOLT MANWAY COVER/PE (SHOWN)
 PPC STOCK NO. 3218 OR
 24"/STRAPPED MANWAY COVER/PE
 PPC STOCK NO. 3217
 (OPTIONAL 24" COVERS AVAILABLE)



NOTE:
 MUST USE FLEXIBLE CONNECTIONS ALL LOWER SIDEWALL FITTINGS

- NOTES**
1. THIS IS A COMPUTER GENERATED DWG. DO NOT REVISE BY HAND.
 2. DIMENSIONS WILL VARY ±3% DUE TO VARIATIONS IN MULTIPLE MOLDS & CONDITIONS PREVALENT DURING MANUFACTURE & USAGE.
 3. NO MOLDED IN GALLONAGE MARKERS THIS TANK.

CALCULATED CAPACITIES/ VOLUME IN U.S. GALLONS		
DESIGN CAP	DOME VOL	TOTAL VOL
6628	265	6893

CONFIDENTIAL PROPERTY OF
 POLY PROCESSING COMPANY
 NOT FOR REPRINT OR USE
 WITHOUT PERMISSION

DWG TITLE		6600 GALLON UPRIGHT TANK		
SCALE:	1/4"=1'-0"		Western Region	DR: J. BRANTLEY
DATE:	5/8/14		P.O. Box 88 8005 South Ash Street French Camp, CA 95225 (925) 962-0164 FAX (925) 962-0455	CK: J. SIMONICH
		SHEET	COMPUTER FILE	REV
		1 OF 1	11006600	-