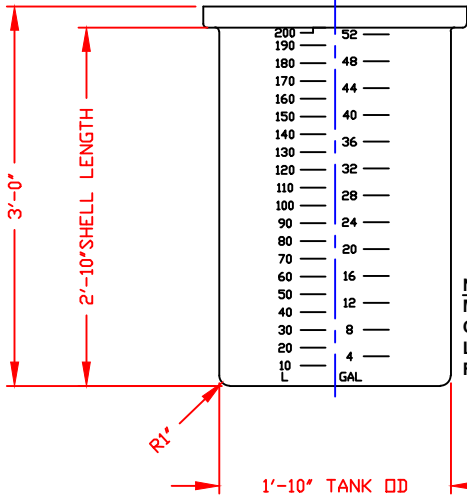
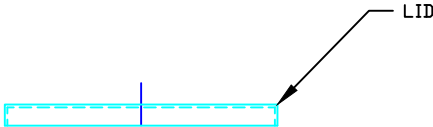
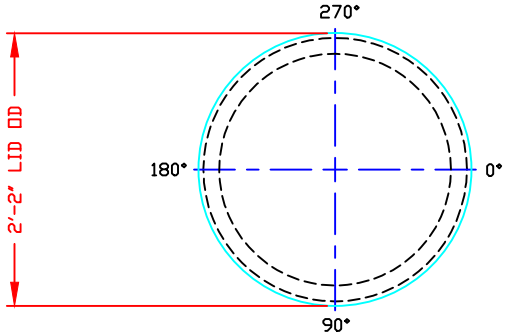


NON-CONTROLLED COPY  
 INFORMATION SUBJECT TO CHANGE WITHOUT NOTICE  
 VERIFY REV LEVEL OF PAPER COPY WITH REV LEVEL ON PPC WEB SITE

NOZZLE SCHEDULE & ACCESSORIES					
SERVICE	MK	STOCK NO.	SIZE	FITTING	DEG ELEV




**NOTE:** A  
 MUST USE FLEXIBLE  
 CONNECTIONS ALL  
 LOWER SIDEWALL  
 FITTINGS

- NOTES**
1. THIS IS A COMPUTER GENERATED DWG. DO NOT REVISE BY HAND.
  2. DIMENSIONS WILL VARY ±3% DUE TO VARIATIONS IN MULTIPLE MOLDS & CONDITIONS PREVALENT DURING MANUFACTURE & USAGE.
  3. MOLDED IN GALLONAGE MARKERS. AVOID WHEN PLACING FITTINGS.

CALCULATED CAPACITY  
 VOLUME IN U.S. GALLONS  
 DESIGN CAPACITY  
 53

CONFIDENTIAL PROPERTY OF  
 PDLY PROCESSING COMPANY  
 NOT FOR REPRINT OR USE  
 WITHOUT PERMISSION

DWG TITLE			
50 GALLON OPEN TOP TANK W/LID			
SCALE:	1"=1'-0"		DR: MB WILKERSON
DATE:	5/4/01		CK: J. BRANTLEY
SHEET		COMPUTER FILE	REV
1 OF 1		11800050	A

REV 'A' ADDED FITTING NOTE BY:JB 3/19/03 CK:MBW