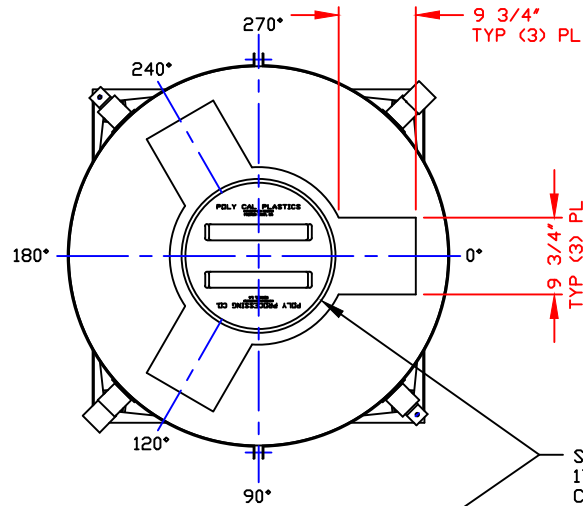
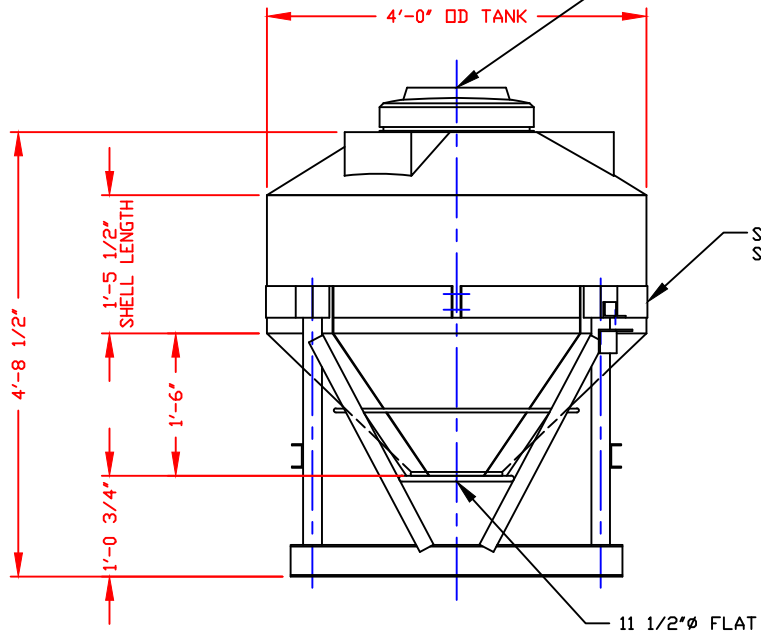


NON-CONTROLLED COPY  
 INFORMATION SUBJECT TO CHANGE WITHOUT NOTICE  
 VERIFY REV LEVEL OF PAPER COPY WITH REV LEVEL ON PPC WEB SITE



STANDARD COVER:  
 17"/BUTTRESS THREAD  
 CAP/BLACK PE  
 STOCK NO. 4558



STEEL STAND  
 STOCK NO. 6254


11 1/2"Ø FLAT

NOZZLE SCHEDULE & ACCESSORIES						
SERVICE	MK	STOCK NO.	SIZE	FITTING	DEG	ELEV

- NOTES**  
 1. THIS A COMPUTER GENERATED DWG. DO NOT REVISE BY HAND.  
 2. DIMENSIONS WILL VARY ±3% DUE TO VARIATIONS IN MULTIPLE MOLDS & CONDITIONS PREVALENT DURING MANUFACTURE & USAGE.  
 3. NO MOLDED IN GALLONAGE MARKERS THIS TANK.

CALCULATED CAPACITIES/ VOLUME IN U.S. GALLONS		
DESIGN CAP	DOME VOL	TOTAL VOL
195	35	230

CONFIDENTIAL PROPERTY OF  
 POLY PROCESSING COMPANY  
 NOT FOR REPRINT OR USE  
 WITHOUT PERMISSION

DWG TITLE			
195 GALLON 44° CONE BOTTOM TANK W/STEEL STAND			
SCALE: 3/4"=1'-0"	 POLYPROCESSING COMPANY	Western Region P.O. Box 88 6025 South Ash Street French Camp, CA 95231 CITY 952-4154 FAX 925-942-8455	DR: MB WILKERSON
DATE: 5/4/00		CK: D. RECTOR	
SHEET	COMPUTER FILE	REV	
1 OF 1	14000195S	-	