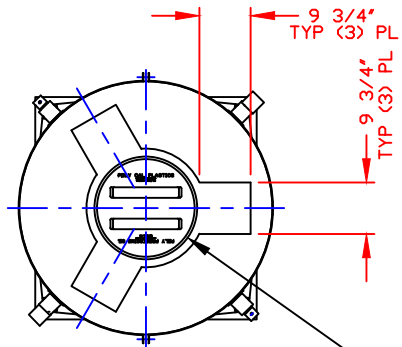
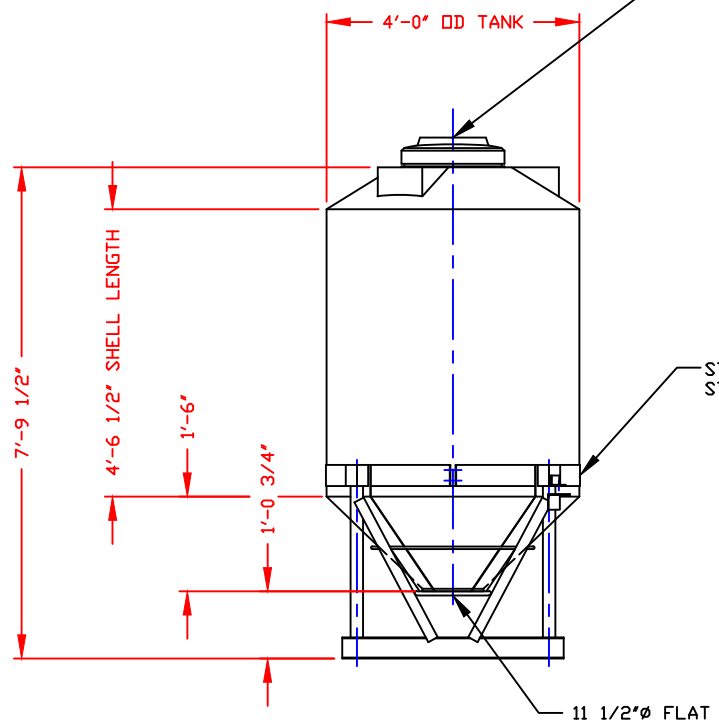


NON-CONTROLLED COPY
 INFORMATION SUBJECT TO CHANGE WITHOUT NOTICE
 VERIFY REV LEVEL OF PAPER COPY WITH REV LEVEL ON PPC WEB SITE



STANDARD COVER:
 17" BUTTRESS THREAD
 CAP/BLACK PE
 STOCK NO. 4558




NOZZLE SCHEDULE & ACCESSORIES						
SERVICE	MK	STOCK NO.	SIZE	FITTING	DEG	ELEV

- NOTES**
1. THIS IS A COMPUTER GENERATED DWG. DO NOT REVISE BY HAND.
 2. DIMENSIONS WILL VARY ±3% DUE TO VARIATIONS IN MULTIPLE MOLDS & CONDITIONS PREVALENT DURING MANUFACTURE & USAGE.
 3. NO MOLDED IN GALLONAGE MARKERS THIS TANK.

CALCULATED CAPACITIES/ VOLUME IN U.S. GALLONS		
DESIGN CAP	DOME VOL	TOTAL VOL
480	35	515

CONFIDENTIAL PROPERTY OF
 POLY PROCESSING COMPANY
 NOT FOR REPRINT OR USE
 WITHOUT PERMISSION

DWG TITLE			
480 GALLON 44° CONE BOTTOM TANK W/STEEL STAND			
SCALE: 1/2"=1'-0"	 POLYPROCESSING COMPANY	Western Region P.O. Box 88 8925 South Ash Street French Camp, CA 98521 (209) 982-4944 FAX (209) 982-0425	DR: MB WILKERSON
DATE: 5/5/00		CK: D. RECTOR	
SHEET		COMPUTER FILE	REV
1 OF 1		14000480S	-