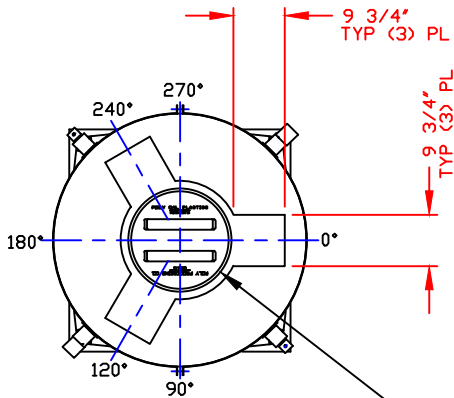
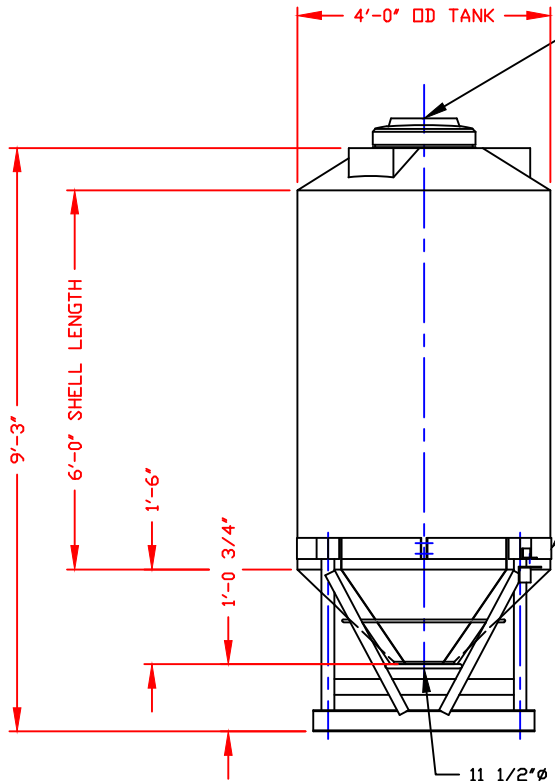


NON-CONTROLLED COPY
 INFORMATION SUBJECT TO CHANGE WITHOUT NOTICE
 VERIFY REV LEVEL OF PAPER COPY WITH REV LEVEL ON PPC WEB SITE



STANDARD COVER:
 17" BUTTRESS THREAD
 CAP/BLACK PE
 STOCK NO. 4558



STEEL STAND
 STOCK NO. 6254

11 1/2"Ø FLAT

NOZZLE SCHEDULE & ACCESSORIES						
SERVICE	MK	STOCK NO.	SIZE	FITTING	DEG	ELEV

- NOTES**
1. THIS IS A COMPUTER GENERATED DWG. DO NOT REVISE BY HAND.
 2. DIMENSIONS WILL VARY ±3% DUE TO VARIATIONS IN MULTIPLE MOLDS & CONDITIONS PREVALENT DURING MANUFACTURE & USAGE. WHEN FILLED, TANK MAY SETTLE IN STAND CAUSING VARIATIONS IN BOTTOM CLEARANCE & OVERALL HEIGHT DIMENSIONS.
 3. NO MOLDED IN GALLONAGE MARKERS THIS TANK.

CALCULATED CAPACITIES/ VOLUME IN U.S. GALLONS		
DESIGN CAP	DOME VOL	TOTAL VOL
615	35	650

CONFIDENTIAL PROPERTY OF
 PDLY PROCESSING COMPANY
 NOT FOR REPRINT OR USE
 WITHOUT PERMISSION

DWG TITLE 615 GALLON 44° CONE BOTTOM TANK W/STEEL STAND		Western Region P.O. Box 48 8920 South Ash Street French Camp, CA 95821 CITY 925-9394 FAX 925-932-9435		DR: MB WILKERSON
SCALE: 1/2"=1'-0"		CK: D. RECTOR		
DATE: 5/8/00		SHEET 1 OF 1	COMPUTER FILE 14000615S	REV -