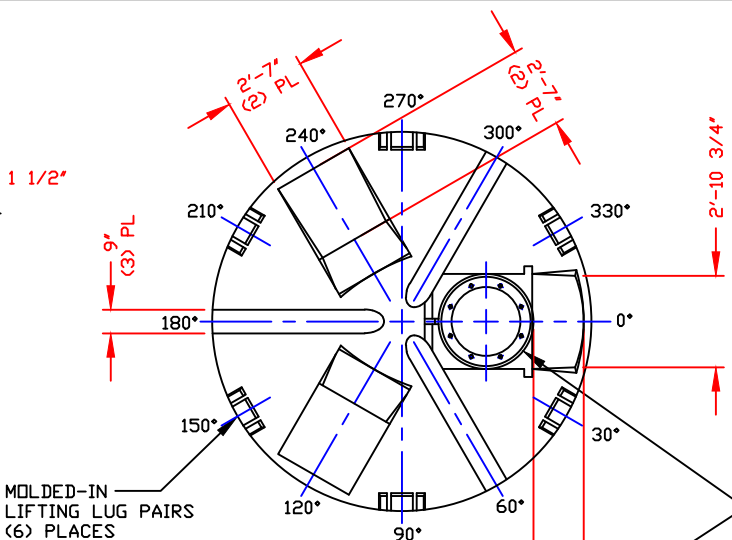
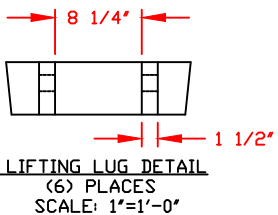


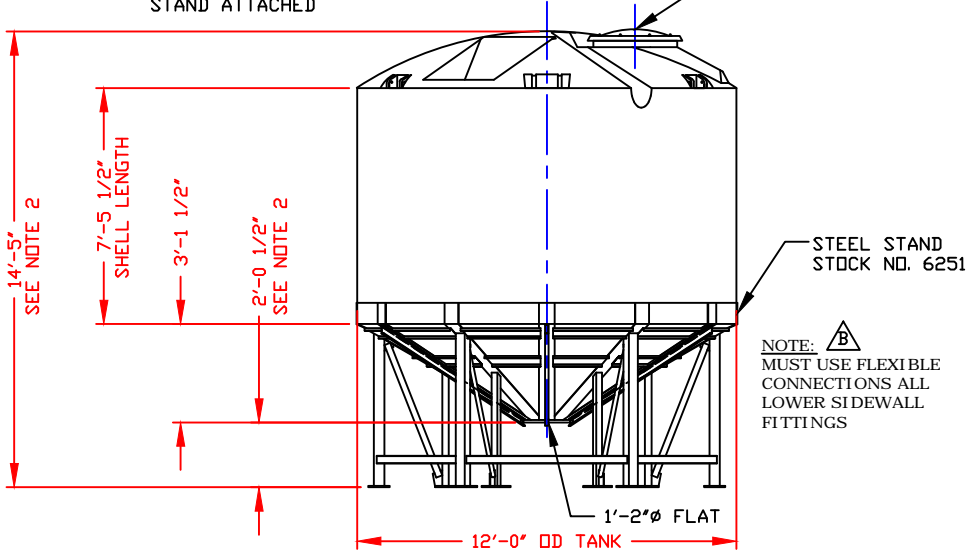
NON-CONTROLLED COPY
 INFORMATION SUBJECT TO CHANGE WITHOUT NOTICE
 VERIFY REV LEVEL OF PAPER COPY WITH REV LEVEL ON PPC WEB SITE



MOLDED-IN LIFTING LUG PAIRS (6) PLACES USE (1) LUG MINIMUM AT (4) OPPOSING LOCATIONS FOR LIFTING (SEE DETAIL) DO NOT LIFT WITH STAND ATTACHED

STANDARD COVER:
 24"/(8) BOLTS MANWAY COVER/PE (SHOWN)
 STOCK NO. 3218 OR
 24"/STRAPPED MANWAY COVER/PE
 STOCK NO. 3217
 (OPTIONAL 24" COVERS AVAILABLE)

NOZZLE SCHEDULE & ACCESSORIES						
SERVICE	MK	STOCK NO.	SIZE	FITTING	DEG	ELEV



NOTE: MUST USE FLEXIBLE CONNECTIONS ALL LOWER SIDEWALL FITTINGS

- NOTES**
- THIS IS A COMPUTER GENERATED DWG. DO NOT REVISE BY HAND.
 - DIMENSIONS WILL VARY ±3% DUE TO VARIATIONS IN MULTIPLE MOLDS & CONDITIONS PREVALENT DURING MANUFACTURE & USAGE. WHEN FILLED, TANK MAY SETTLE IN STAND CAUSING VARIATIONS IN BOTTOM CLEARANCE & OVERALL HEIGHT DIMENSIONS.
 - NO MOLDED IN GALLONAGE MARKERS THIS TANK.

CALCULATED CAPACITIES/ VOLUME IN U.S. GALLONS		
DESIGN CAP	DOVE	TOTAL VOL
7127	780	7907

CONFIDENTIAL PROPERTY OF
 POLY PROCESSING COMPANY
 NOT FOR REPRINT OR USE
 WITHOUT PERMISSION

DWG TITLE			
7100 GALLON 30° CONE BOTTOM TANK W/STEEL STAND			
SCALE:	1/4"=1'-0"	 Western Region P.O. Box 88 9025 South Ash Street French Camp, CA 92521 (925) 948-1044 FAX (925) 948-0455	DR:
DATE:	5/23/00		CK:
SHEET		COMPUTER FILE	REV
1 OF 1		14107100S	B

REV "B" ADDED FITTING NOTE BY:JB 10/24/03 CK:WM
 REV "A" REVISED FOR MOLD MODIFICATIONS BY:JB 10/24/03 CK:WM