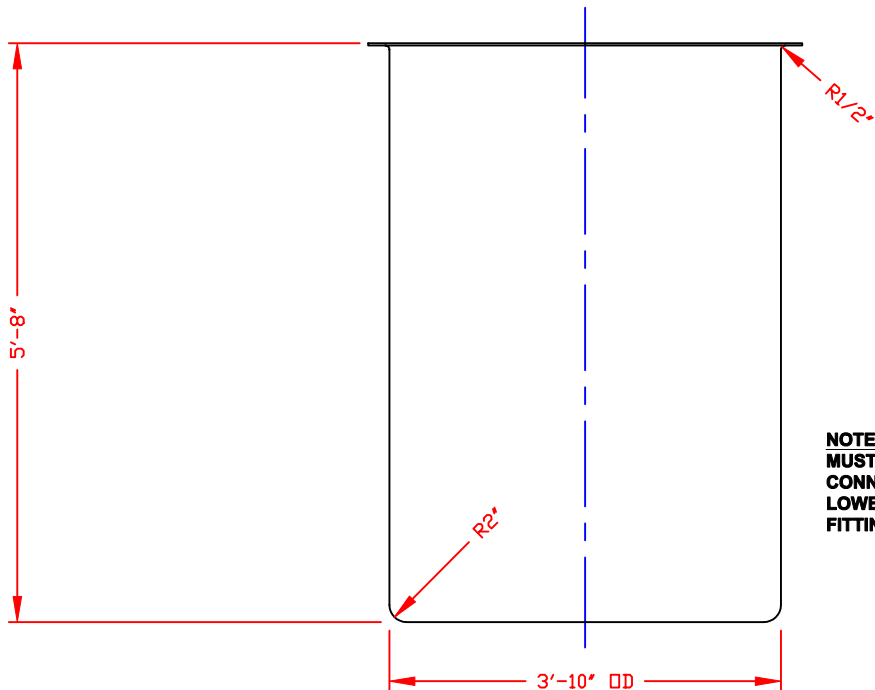
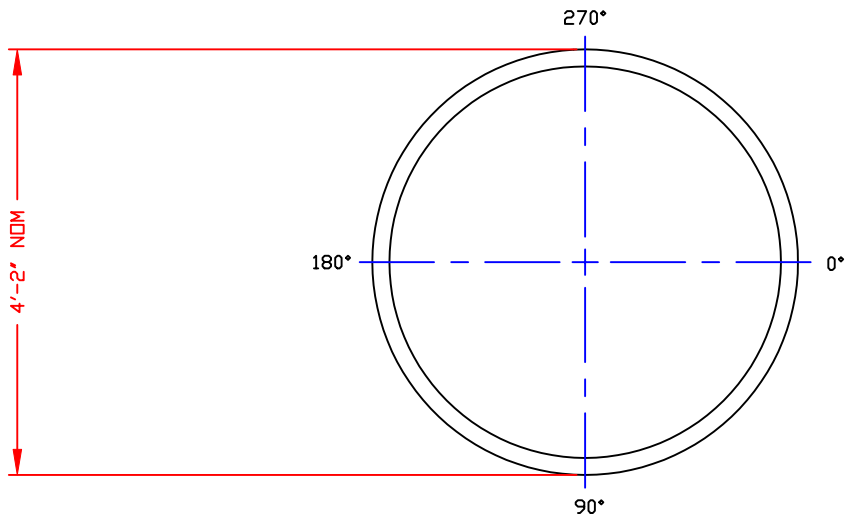



NON-CONTROLLED COPY
 INFORMATION SUBJECT TO CHANGE WITHOUT NOTICE
 COPY WILL NOT BE UPDATED

COPY ISSUED BY _____
 COPY ISSUED ON _____

NOZZLE SCHEDULE & ACCESSORIES					
SERVICE	MK	STOCK NO.	SIZE	FITTING	DEG ELEV




NOTE: 
 MUST USE FLEXIBLE
 CONNECTIONS ALL
 LOWER SIDEWALL
 FITTINGS

- NOTES**
1. THIS IS A COMPUTER GENERATED DWG. DO NOT REVISE BY HAND.
 2. DIMENSIONS WILL VARY ±3% DUE TO VARIATIONS IN MULTIPLE MOLDS & CONDITIONS PREVALENT DURING MANUFACTURE & USAGE.
 3. MOLDED IN GALLONAGE MARKERS IN 50 GAL INCREMENTS UP TO 400 GAL.

CALCULATED CAPACITY
VOLUME IN U.S. GALLONS
DESIGN CAPACITY
474

CONFIDENTIAL PROPERTY OF
 POLY PROCESSING COMPANY
 NOT FOR REPRINT OR USE
 WITHOUT PERMISSION

DWG TITLE			
470 GALLON OPEN TOP TANK			
SCALE: 3/4"=1'-0"		Central Region P.O. Box 4150 (71211) 2281 Old Stevington Rd. Marrero, LA 71250 CNP 343-7565 FAX CNP 343-6795	DR: MB WILKERSON
DATE: 12/27/99			CK: J. BRANTLEY
		SHEET	COMPUTER FILE
		1 OF 1	1500470 A