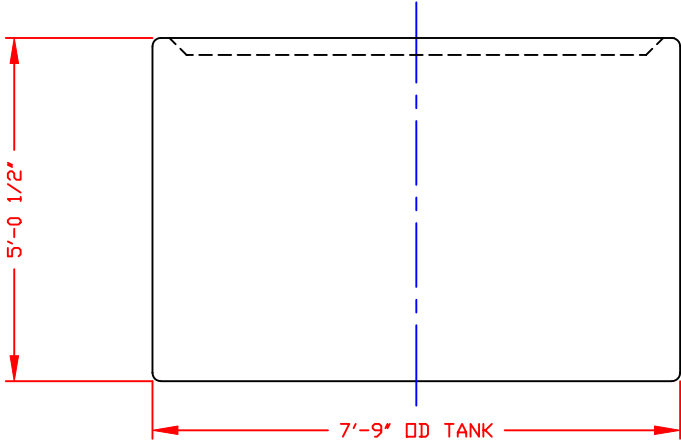
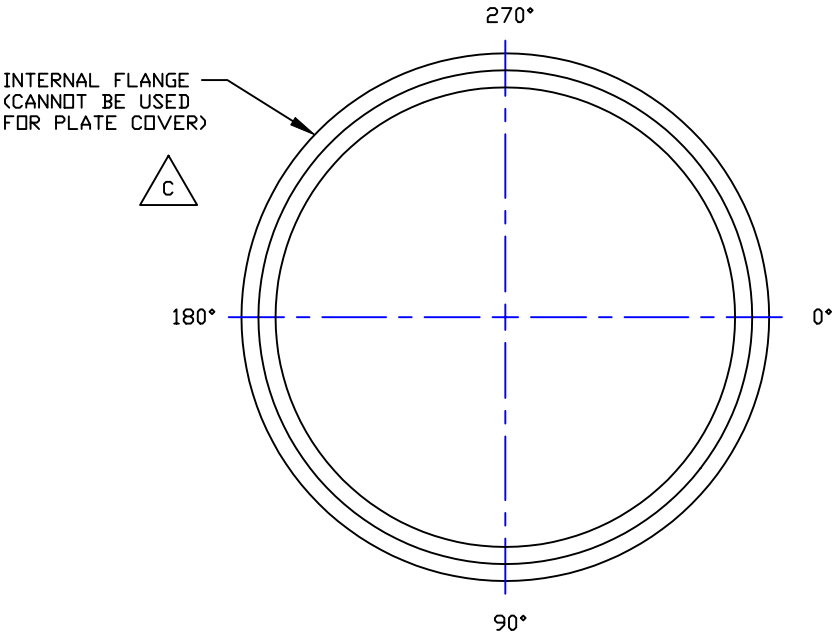



NON-CONTROLLED COPY
 INFORMATION SUBJECT TO CHANGE WITHOUT NOTICE
 COPY WILL NOT BE UPDATED

COPY ISSUED BY _____
 COPY ISSUED ON _____

NOZZLE SCHEDULE & ACCESSORIES					
SERVICE	MK	STOCK NO.	SIZE	FITTING	DEG ELEV




NOTE:  **MUST USE FLEXIBLE CONNECTIONS ALL LOWER SIDEWALL FITTINGS**

NOTES:
 1. THIS IS A COMPUTER GENERATED DWG. DO NOT REVISE BY HAND.
 2. DIMENSIONS WILL VARY ±3% DUE TO VARIATIONS IN MULTIPLE MOLDS & CONDITIONS PREVALENT DURING MANUFACTURE & USAGE.
 3. NO GALLONAGE MARKERS THIS TANK.

CALCULATED CAPACITIES/
 VOLUME IN U.S. GALLONS
 DESIGN CAPACITY
 1750

CONFIDENTIAL PROPERTY OF
 POLY PROCESSING COMPANY
 NOT FOR REPRINT OR USE
 WITHOUT PERMISSION

DWG TITLE: 1750 GALLON OPEN TOP TANK

SCALE: 1/2"=1'-0"		Central Region P.O. Box 4150 (71811) 2201 Old Stevington Rd. Morgan, LA 71250 CSPD 343-7565 FAX CSPD 343-6795	DR: MB WILKERSON
DATE: 12/28/99		CK: J. BRANTLEY	
REV 'C' CORRECTED FLANGE STYLE BY:MBW 7/15/04 CK:JB		SHEET	COMPUTER FILE
REV 'B' ADDED FITTING NOTE BY:MBW 4/14/03 CK:JB		1 OF 1	1501750
REV 'A' REVISED & REDRAWN BY:MBW 6/16/00 CK:JB			C