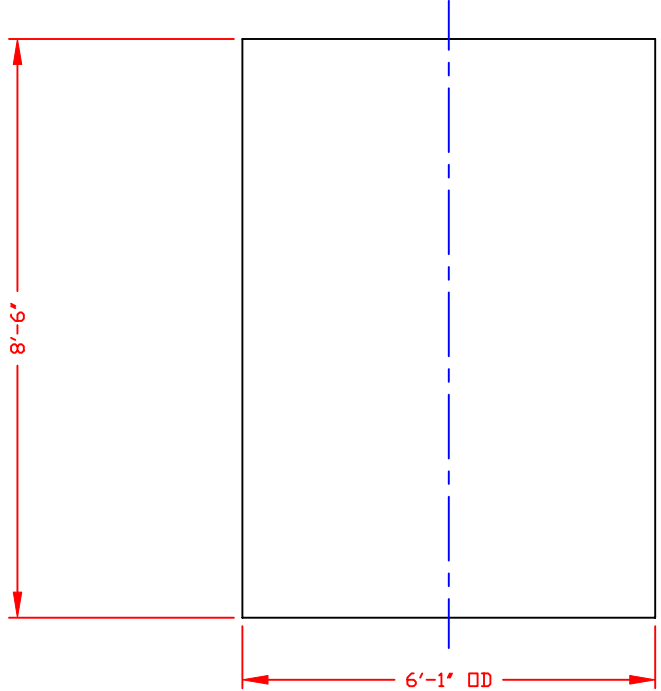
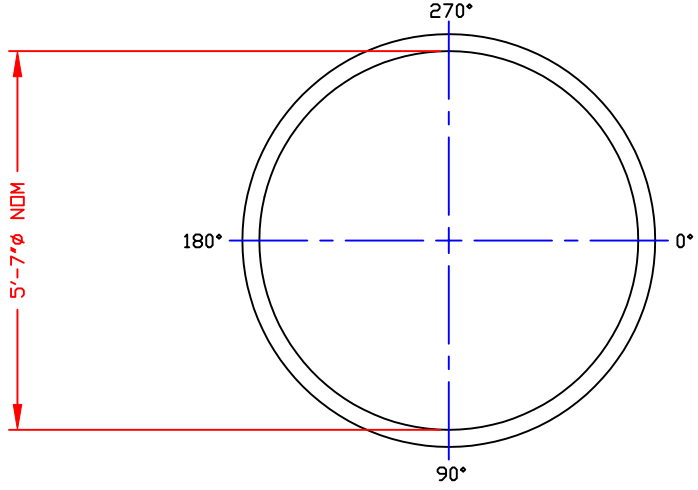


NON-CONTROLLED COPY
 INFORMATION SUBJECT TO CHANGE WITHOUT NOTICE
 COPY WILL NOT BE UPDATED

COPY ISSUED BY _____
 COPY ISSUED ON _____



NOTE: 
 MUST USE FLEXIBLE
 CONNECTIONS ALL
 LOWER SIDEWALL
 FITTINGS


NOZZLE SCHEDULE & ACCESSORIES						
SERVICE	MK	STOCK NO.	SIZE	FITTING	DEG	ELEV

- NOTES:**
1. THIS IS A COMPUTER GENERATED DWG. DO NOT REVISE BY HAND.
 2. DIMENSIONS WILL VARY ±3% DUE TO VARIATIONS IN MULTIPLE MOLDS & CONDITIONS PREVALENT DURING MANUFACTURE & USAGE.
 3. NO GALLONAGE MARKERS THIS TANK.

CALCULATED CAPACITIES/
 VOLUME IN U.S. GALLONS
 DESIGN CAPACITY
 1800

CONFIDENTIAL PROPERTY OF
 POLY PROCESSING COMPANY
 NOT FOR REPRINT OR USE
 WITHOUT PERMISSION

DWG TITLE: 1800 GALLON OPEN TOP TANK

SCALE: 1/2"=1'-0" 

DATE: 12/28/99

Central Region
 P.O. Box 4150 (71211)
 2501 Old Stearnington Rd.
 Monroeville, LA 71202
 (504) 343-7565
 FAX (504) 343-6795

DR: M WILKERSON
 CK: J. BRANTLEY

SHEET: 1 OF 1
 COMPUTER FILE: 1501800
 REV: A

REV *A* ADDED FITTING NOTE BY:MBW 4/14/03 CK:JB