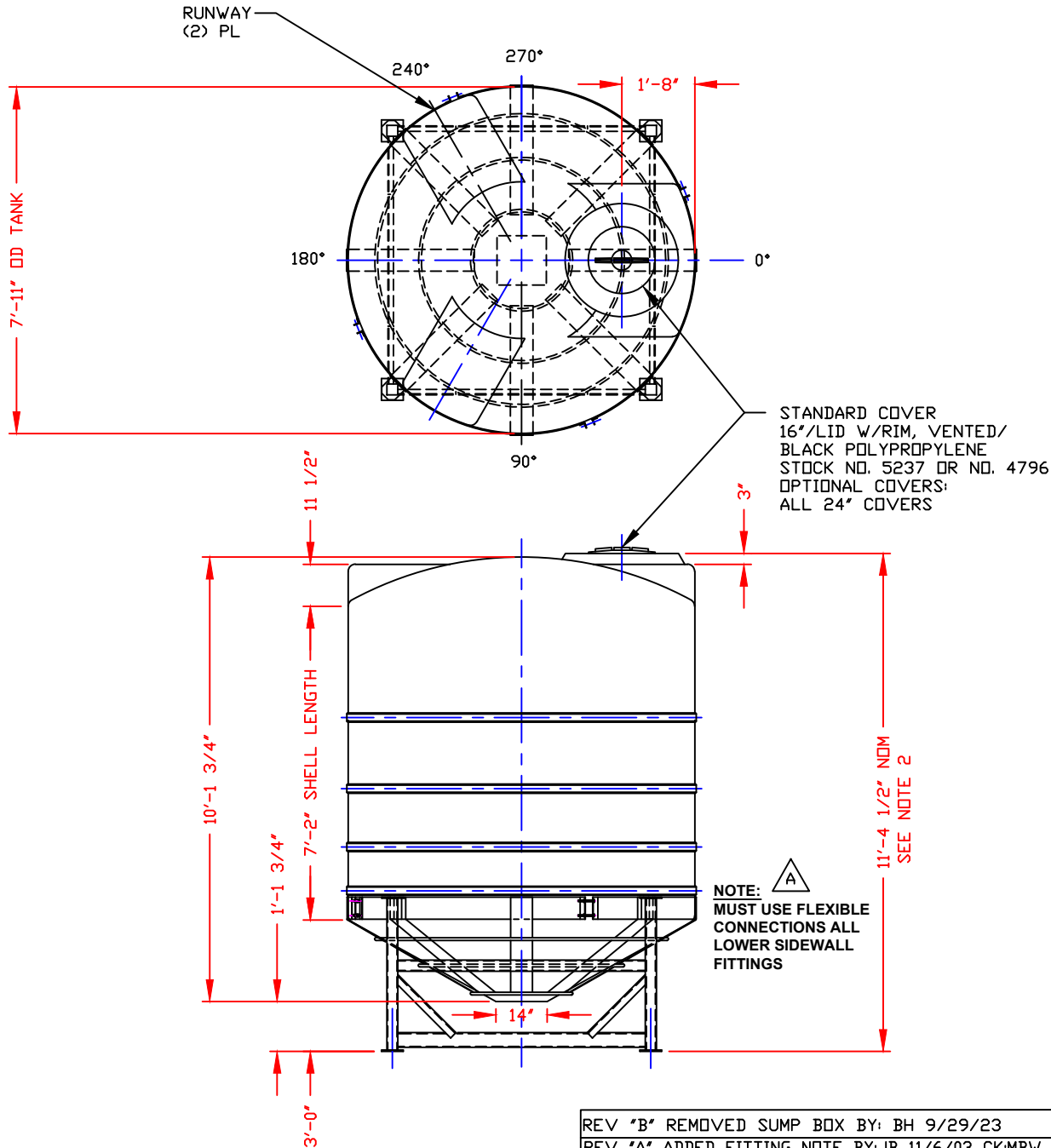


NON-CONTROLLED COPY
 INFORMATION SUBJECT TO CHANGE WITHOUT NOTICE
 VERIFY REV LEVEL OF PAPER COPY WITH REV LEVEL ON PPC WEB SITE



| NOZZLE SCHEDULE & ACCESSORIES | | | | | |
|-------------------------------|----|-----------|------|---------|----------|
| SERVICE | MK | STOCK NO. | SIZE | FITTING | DEG ELEV |
| | | | | | |
| | | | | | |
| | | | | | |
| | | | | | |
| | | | | | |
| | | | | | |
| | | | | | |
| | | | | | |
| | | | | | |
| | | | | | |
| | | | | | |

NOTES

1. THIS IS A COMPUTER GENERATED DWG. DO NOT REVISE BY HAND.
2. DIMENSIONS WILL VARY ±3% TO VARIATIONS IN MULTIPLE MOLDS & CONDITIONS PREVALENT DURING MANUFACTURE & USAGE. WHEN FILLED, TANK MAY SETTLE IN STAND CAUSING VARIATIONS IN BOTTOM CLEARANCE & OVERALL HEIGHT DIMENSIONS.
3. MOLDED IN GALLONAGE MARKERS IN MANWAY AREA IN 100 GALLON INCREMENTS UP TO 3000 GALLONS.

| CALCULATED CAPACITIES/ VOLUME IN U.S. GALLONS | | |
|--|----------|-----------|
| DESIGN CAP | DOME VOL | TOTAL VOL |
| 2877 | 198 | 3075 |

CONFIDENTIAL PROPERTY OF
 POLY PROCESSING COMPANY
 NOT FOR REPRINT OR USE
 WITHOUT PERMISSION

DWG TITLE
 2850 GALLON 30° CONE BOTTOM TANK W/STAND

| | | |
|-------------------|--|--------------|
| SCALE: 3/8"=1'-0" | Central Region P.O. Box 4159 (71281) 2201 Old Springington Rd. Monroe, LA 71203 (504) 343-7543 FAX (504) 343-8795 | DR: M. MCVAY |
| DATE: 11/12/20 | | CK: |

REV "B" REMOVED SUMP BOX BY: BH 9/29/23
 REV "A" ADDED FITTING NOTE BY: JB 11/6/03 CK:MBW

| | | |
|--------|---------------|-----|
| SHEET | COMPUTER FILE | REV |
| 1 OF 1 | CONE-02850 | A |