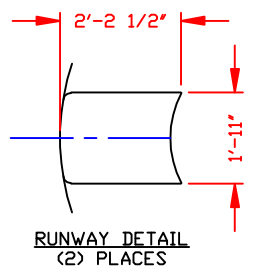
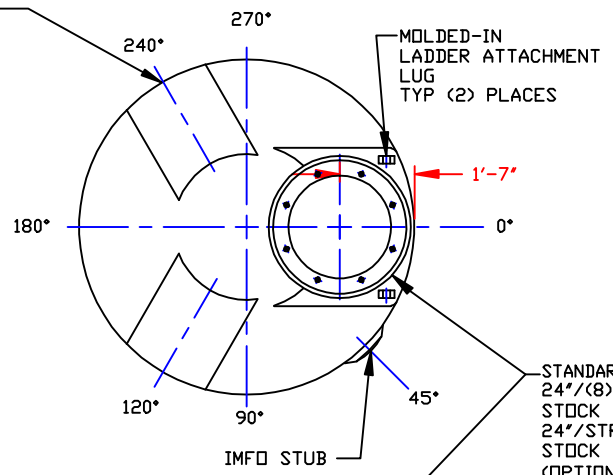
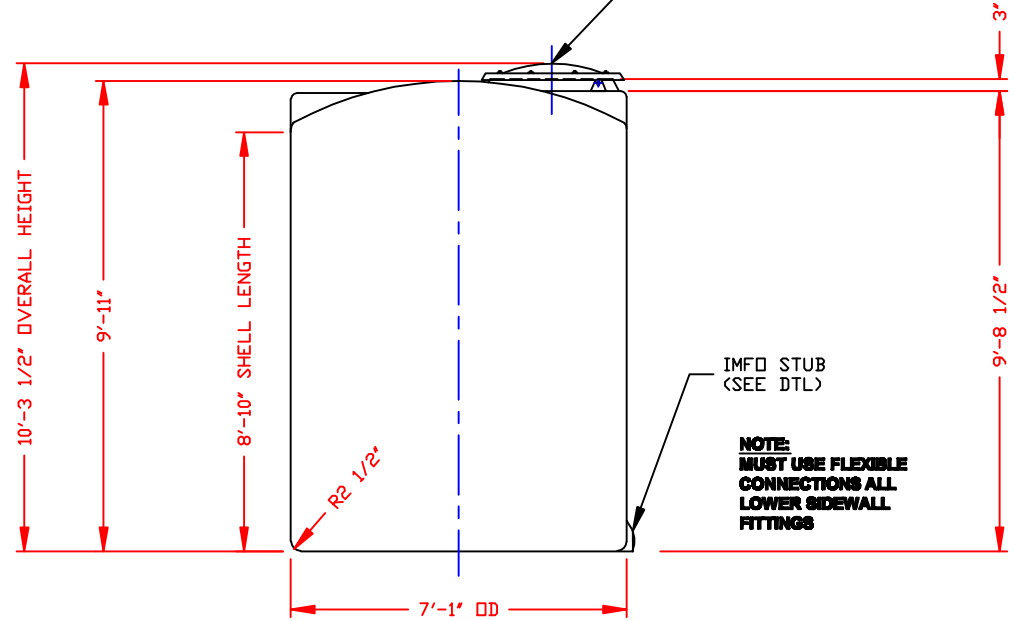


NON-CONTROLLED COPY
 INFORMATION SUBJECT TO CHANGE WITHOUT NOTICE
 VERIFY REV LEVEL OF PAPER COPY WITH REV LEVEL ON PPC WEB SITE

RUNWAY
 (2) PL
 SEE DTL
 A

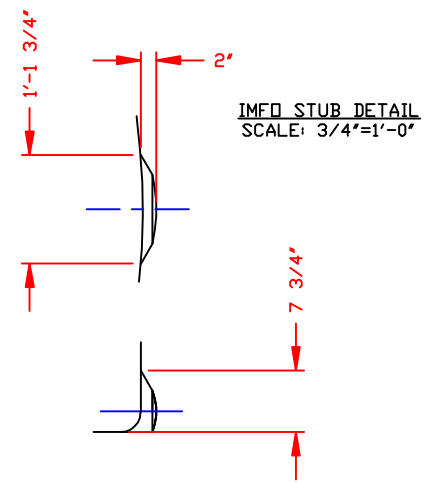


STANDARD COVER:
 24"/(8) BOLT MANWAY COVER/PE (SHOWN)
 STOCK NO. 3218 OR
 24"/STRAPPED MANWAY COVER/PE
 STOCK NO. 3217
 (OPTIONAL 24" COVERS AVAILABLE)



NOTE:
 MUST USE FLEXIBLE
 CONNECTIONS ALL
 LOWER SIDEWALL
 FITTINGS

NOZZLE SCHEDULE & ACCESSORIES						
SERVICE	MK	STOCK NO.	SIZE	FITTING	DEG	ELEV



- NOTES**
1. THIS IS A COMPUTER GENERATED DWG. DO NOT REVISE BY HAND.
 2. DIMENSIONS WILL VARY ±3% DUE TO VARIATIONS IN MULTIPLE MOLDS & CONDITIONS PREVALENT DURING MANUFACTURE & USAGE.
 3. MOLDED IN GALLONAGE MARKERS @ APPROX 60° IN 200 GAL INCREMENTS UP TO 2400 GAL.

CALCULATED CAPACITIES/ VOLUME IN U.S. GALLONS		
DESIGN CAP	DOME VOL	TOTAL VOL
2559	142	2701

CONFIDENTIAL PROPERTY OF
 PDLY PROCESSING COMPANY
 NOT FOR REPRINT OR USE
 WITHOUT PERMISSION

DWG TITLE: 2550 GALLON UPRIGHT TANK (LA)

SCALE: 3/8"=1'-0"		Central Region P.O. Box 4500 #1150 2254 Old Shreveport Rd. Norwego, LA 72650 (504) 343-7863 FAX (504) 343-8795	DR: J. BRANTLEY
DATE: 8/12/09		CK: W. MANUEL	
SHEET 1 OF 1		COMPUTER FILE 1002550L	REV A

REV 'A' ADDED RUNWAYS BY:JB 10/9/09 CK:CD