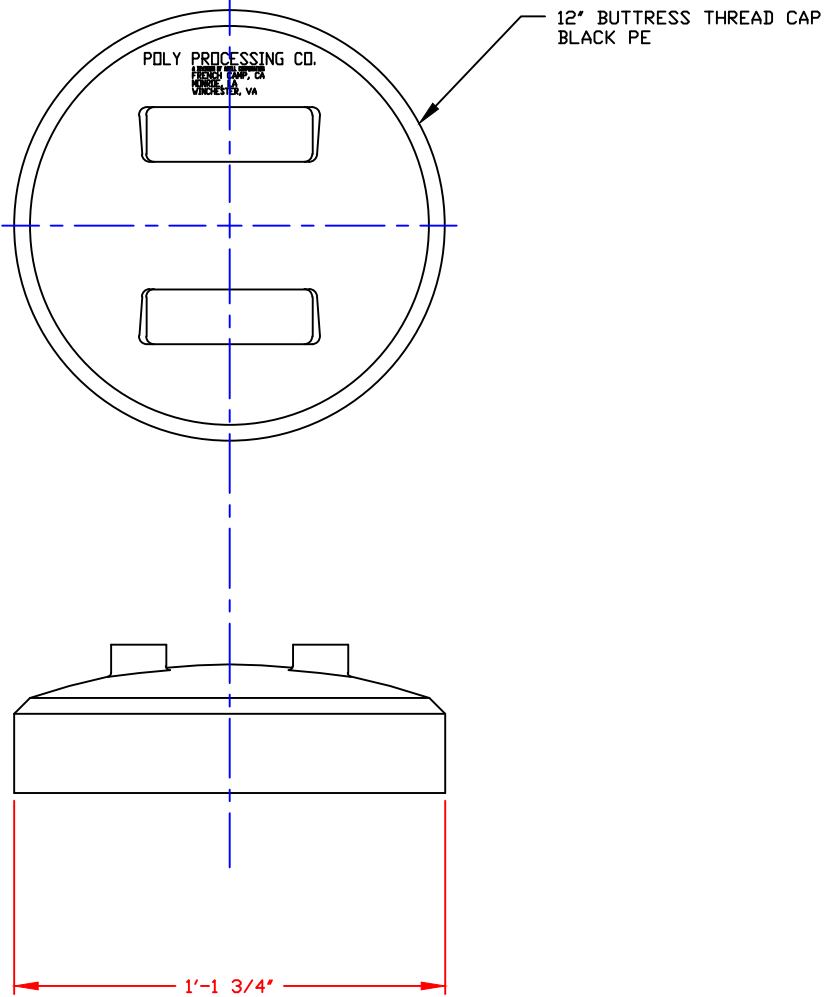



NON-CONTROLLED COPY  
 INFORMATION SUBJECT TO CHANGE WITHOUT NOTICE  
 VERIFY REV LEVEL OF PAPER COPY WITH REV LEVEL ON PPC WEB SITE

Gasket Material:



**NOTES**  
 1. THIS IS A COMPUTER GENERATED DWG. DO NOT REVISE BY HAND.  
 2. PPC STOCK NO. 5167.

DWG TITLE		12" BUTTRESS THREAD CAP		
SCALE:	3"=1'-0"	 Central Region P.O. Box 4589 (75283) 2884 Old Sparlington Rd. Norfolk, VA 23502 (800) 343-7862 FAX (528) 343-9795	DR:	S. NEWBURY
DATE:	7/1/10		CK:	J. BRANTLEY
		SHEET	COMPUTER FILE	REV
		1 OF 1	12BTCM	-