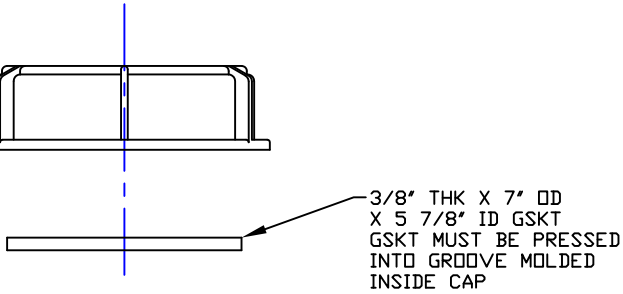
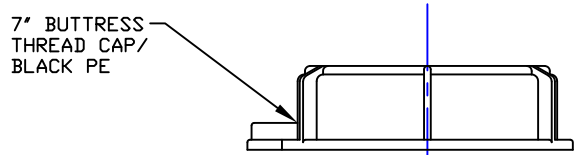
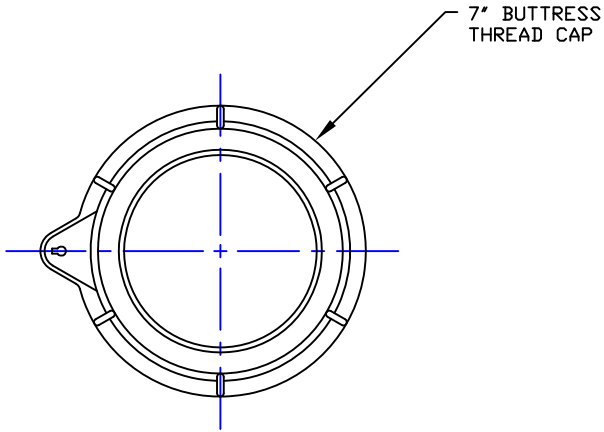



NON-CONTROLLED COPY  
 INFORMATION SUBJECT TO CHANGE WITHOUT NOTICE  
 VERIFY REV LEVEL OF PAPER COPY WITH REV LEVEL ON PPC WEB SITE

Gasket Material:



**NOTES**  
 1. THIS IS A COMPUTER GENERATED DWG. DO NOT REVISE BY HAND.  
 2. PPC STOCK NO. 4565

|           |          |  |               |             |
|-----------|----------|--|---------------|-------------|
| DWG TITLE |          | 7" BUTRESS THREAD CAP  |               |             |
| SCALE:    | 3"=1'-0" | <br>Central Region<br>P.O. Box 4159 (71811)<br>8201 Old Sterlington Rd.<br>Monroe, LA 71203<br>(504) 343-7565<br>FAX (504) 343-8795 | DR:           | S. NEWBURY  |
| DATE:     | 7/16/10  |  | CK:           | J. BRANTLEY |
|           |          | SHEET  | COMPUTER FILE | REV         |
|           |          | 1 OF 1   | 7BTCM         | -           |