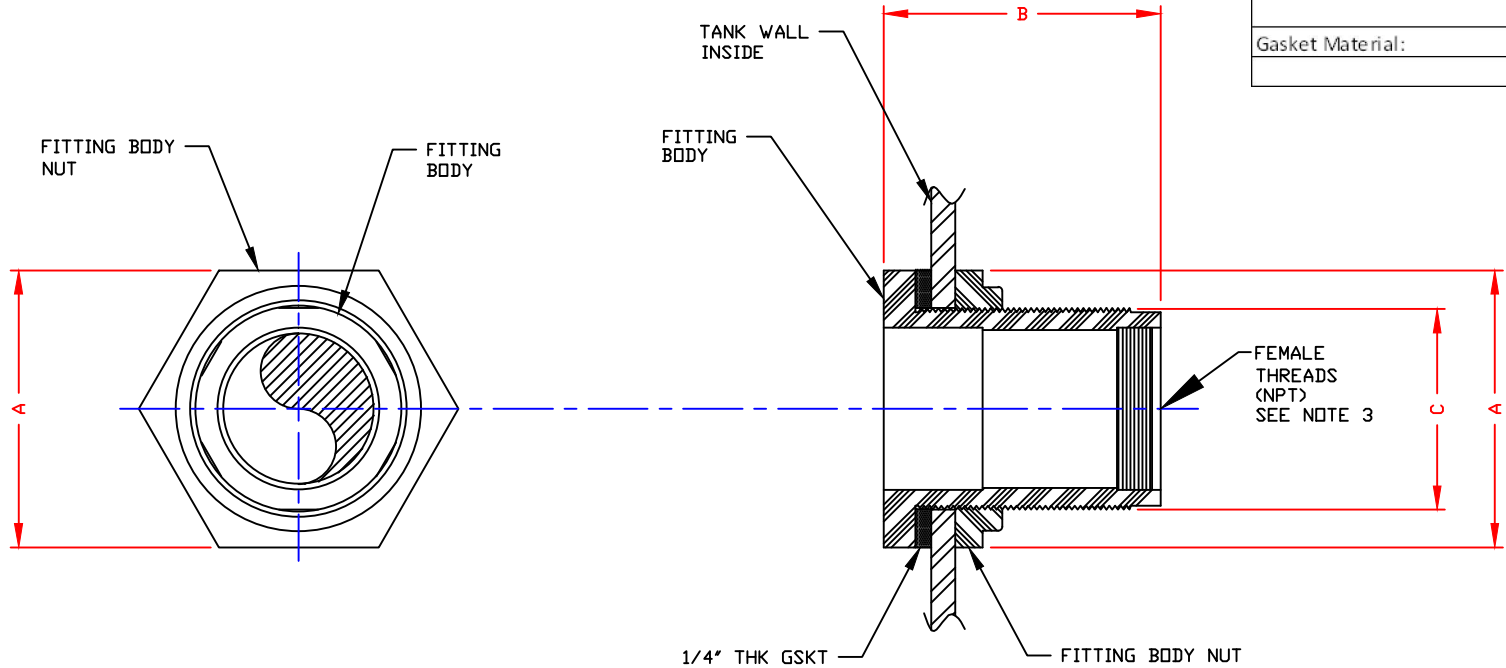


NON-CONTROLLED COPY
 INFORMATION SUBJECT TO CHANGE WITHOUT NOTICE
 VERIFY REV LEVEL OF PAPER COPY WITH REV LEVEL ON PPC WEB SITE

Fitting Size:
Fitting Material:
Gasket Material:



PIPE SIZE (NPT)	DIM A	DIM B	DIM C
1/2"	2"	3 3/4"	1 3/8"
3/4"	2 3/8"	3 7/8"	1 5/8"
1"	2 9/16"	3 7/8"	1 7/8"
1 1/4"	3 1/4"	4"	2 3/8"
1 1/2"	3 1/4"	4"	2 3/8"
2"	4 3/8"	4 1/4"	3 1/4"
3"	6"	4 5/8"	4 1/2"
4"	8 3/4"	5 3/4"	5 3/4"
6"	12"	8"	8"

- NOTES**
1. THIS IS A COMPUTER GENERATED DWG. DO NOT REVISE BY HAND.
 2. PLASTIC BULKHEAD FITTINGS (EXCEPT 4") MAY BE USED ON THE TANK SIDE WALL, IN THE BOTTOM, OR ON THE CENTER OF THE DOME. PLASTIC BULKHEAD FITTINGS MAY ALSO BE USED ELSEWHERE ON THE DOME IF IT IS NOT NECESSARY THAT THE FITTING BE VERTICAL TO THE BASE OF THE TANK AS THE FITTING WILL FOLLOW THE CURVE OF THE DOME.
 3. PVC FITTING MAY BE SPECIAL ORDERED WITH THREADS ON BOTH ENDS. PP IS THREADED ON BOTH ENDS. CPVC IS S X T ONLY.

REV "A" REVISED & REDRAWN BY: JB 1/20/12 CK/CD			
DWG TITLE PLASTIC BULKHEAD FITTING (HAYWARD)			
SCALE:	6"=1'-0"	 Central Region P.O. Box 4586 (75283) 25th (Old) Worthington Rd. Houston, LA 77055 (281) 343-7825 FAX (281) 343-9795	DR: C. DAVIES
DATE:	4/23/10	POLYPROCESSING COMPANY, LLC	CK: J. BRANTLEY
		SHEET	COMPUTER FILE
		1 OF 1	BHFM
			REV A