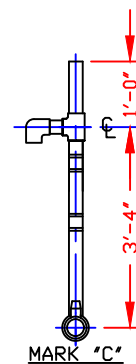
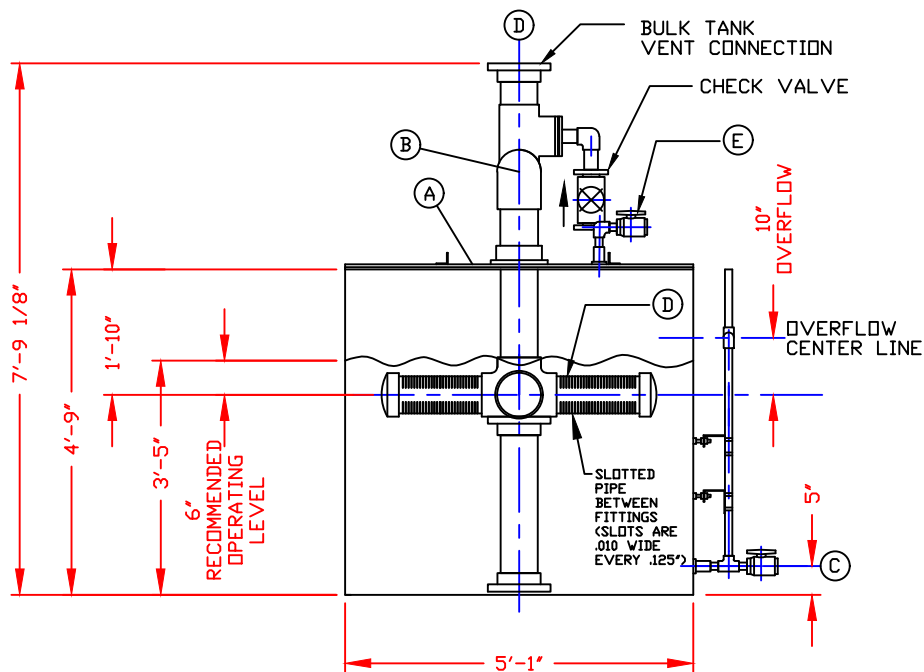


NOZZLE SCHEDULE & ACCESSORIES						
SERVICE	MK	STOCK NO	SIZE	FITTING	DEG	ELEV
COVER	A	9377	--	CVR ASMBLY OT 61" DIA SS/PE	ALL	TOP
SCRUBBER VENT	B	11949	6"	U-VENT 6" PVC/VITON	90°	TOP
DRAIN	C	10897	2"	SCRUBBER 2" OUTLET/OVERFLOW PVC/LV/C-276	0°	5"
SCRUBBER	D	10898	6"	SCRUBBER ASMBLY 6" PVC/LV	CTR	TOP
BATH FILL	E	3180	1"	BHF ASMBLY 1" SXT H'WARD PVC/LV	45°	TOP



MARK 'C'  
FRONT VIEW  
NOT TO SCALE

NOTE: INCOMING VENT PIPE MUST BE INDEPENDENTLY SUPPORTED  
ELEVATIONS ONLY--  
NOZZLES & ACCESSORIES ROTATED INTO VIEW--  
FOR TRUE ORIENTATION SEE PLAN VIEW

- NOTES
1. THIS IS A COMPUTER GENERATED DWG. DO NOT REVISE BY HAND.
  2. DIMENSIONS WILL VARY ±3% DUE TO VARIATIONS IN MULTIPLE MOLDS & CONDITIONS PREVALENT DURING MANUFACTURE & USAGE.
  3. TANK DESIGNED FOR 1.9 SpG MAT'L @ 100°F/ATMOS PRESSURE.

CALCULATED CAPACITY TO OPERATING LEVEL
~515 GALLONS

DWG TITLE		POLYSCRUB BASIC 5' X 5' SCRUBBER	
SERVICE: SCRUBBER MEDIA		1.9 SpG/XLPE/NATURAL	
SCALE: 1/2"=1'-0"			DR: J. BRANTLEY
DATE: 2/10/19			CK: C. DAVIES
SHEET		COMPUTER FILE	REV
1 OF 1		POLYSCRUB BASIC	