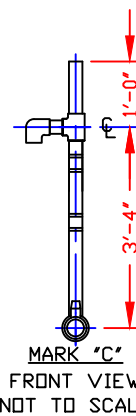
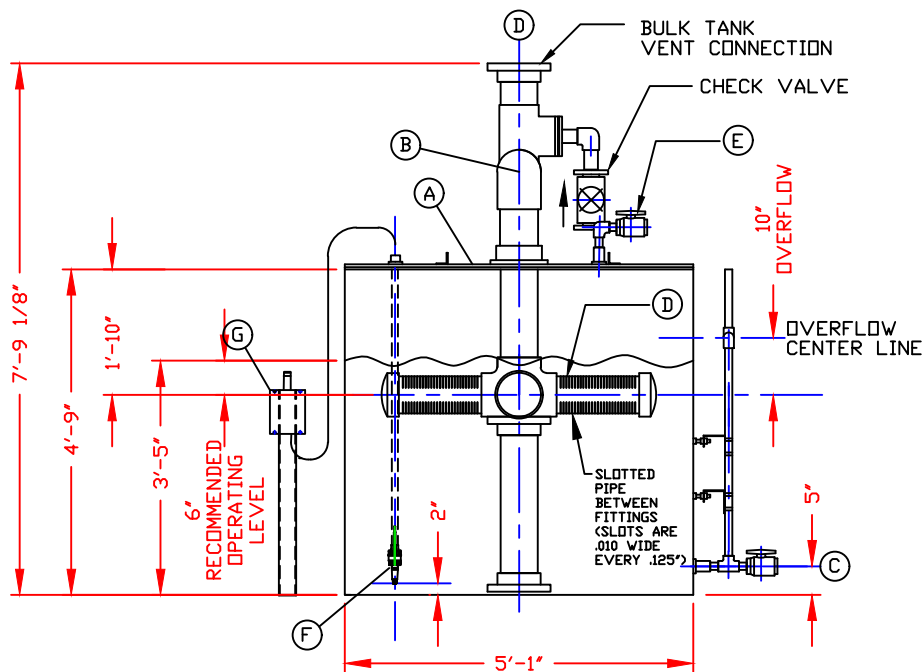


NOZZLE SCHEDULE & ACCESSORIES						
SERVICE	MK	STOCK NO	SIZE	FITTING	DEG	ELEV
COVER	A	9377	--	CVR ASMBLY OT 61" DIA SS/PE	ALL	TOP
SCRUBBER VENT	B	11949	6"	U-VENT 6" PVC/VITON	90°	TOP
DRAIN	C	10897	2"	SCRUBBER OUTLET/OVERFLOW PVC/LV/C-276	0°	5"
SCRUBBER	D	10898	6"	SCRUBBER ASMBLY 6" PVC/LV	CTR	TOP
BATH FILL	E	7110	1"	1" PVC BHF/Viton	45°	TOP
		3180	1"	1" PVC THREADED BALL VALVE		
		4612	1"	1" PVC ELBOW THREAD BY THREAD	45°	TOP
		9802	1"	(2) 1" PVC THREADED NIPPLE	45°	TOP
PH PROBE	F	11948	1"	DROP PIPE & PH PROBE	165°	TOP
		2778	1"	1" PVC UBD BHF/Viton		
CONTROL BOX	G	11922	--	POLY SCRUB PANEL BOX, MONITOR & BEACON LIGHT	180°	SIDE
		11919	--	STAND FOR PANEL BOX		




NOTE: INCOMING VENT PIPE MUST BE INDEPENDENTLY SUPPORTED
 ELEVATIONS ONLY--
 NOZZLES & ACCESSORIES ROTATED INTO VIEW--
 FOR TRUE ORIENTATION SEE PLAN VIEW

NOTES

1. THIS IS A COMPUTER GENERATED DWG. DO NOT REVISE BY HAND.
2. DIMENSIONS WILL VARY ±3% DUE TO VARIATIONS IN MULTIPLE MOLDS & CONDITIONS PREVALENT DURING MANUFACTURE & USAGE.
3. TANK DESIGNED FOR 1.9 SpG MAT'L @ 100°F/ATMOS PRESSURE.

CALCULATED CAPACITY TO OPERATING LEVEL
 ~515 GALLONS

DWG TITLE		POLYSCRUB PLUS 5' X 5' SCRUBBER	
SERVICE: SCRUBBER MEDIA		1.9 SpG/XLPE/NATURAL	
SCALE: 1/2"=1'-0"		DR: J. BRANTLEY	
DATE: 2/18/19		CK: C. DAVIES	
SHEET		COMPUTER FILE	
1 OF 1		POLYSCRUB PLUS	