

SECTION A-A

MARK	QTY	PART NO.	DESCRIPTION
1	1	---	OUTER TANK
2	1	---	INNER TANK
3	1	---	AS SPECIFIED BY CUSTOMER (NOT INCLUDED)
4	1	9687	3/8" THK PLATE/BLACK PE
5	1	---	FLANGE ADAPTER/PVC
6	1	---	GASKET 8" SPOOL (TANK END)
7	12	---	1/2" X 3" STUD BOLT
8	12	---	1/2" FLAT WASHER
	12	---	1/2" LOCK WASHER
	12	---	1/2"-13 UNC NUT
9	12	---	STUD BOLT GASKET
10	1	9688	TRANS FITTING BELLOWS II/LLDPE/NATURAL
11	8	---	1/2"-13 X 2" BOLT
	16	---	1/2" FLAT WASHER
	8	---	1/2" LOCK WASHER
	8	---	1/2"-13 NUT
12	1	---	BULKHEAD FITTING/PVC/SxT
13	1	---	GASKET 6" FLANGE (PLATE END)
14	1	9685	SPLIT BACK-UP RING II/SS (PLATE END)
15	1	9686	SPLIT BACK-UP RING II/SS (TANK END)
16	1	---	FLANGED FLEX JOINT

▲


ASSEMBLY			
SIZE	BOLT	GASKET	PART #
2	SS	EPDM	9752
2	SS	LV	9755
2	TITAN	EPDM	9753
2	TITAN	LV	9756
2	C-276	EPDM	9754
2	C-276	LV	9757
3	SS	EPDM	9758
3	SS	LV	9761
3	TITAN	EPDM	9759
3	TITAN	LV	9762

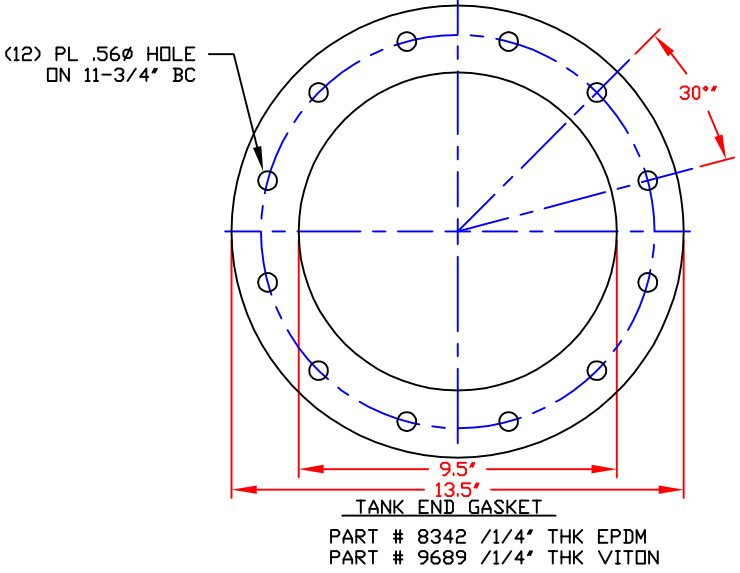
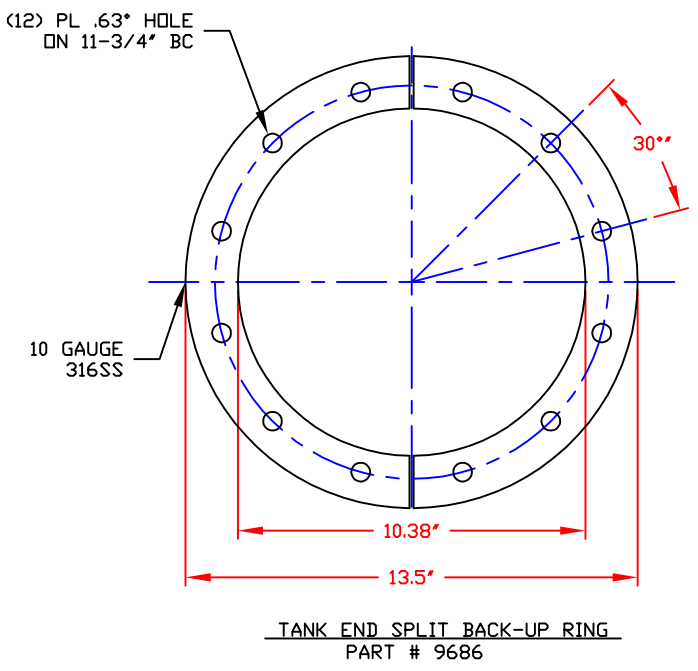
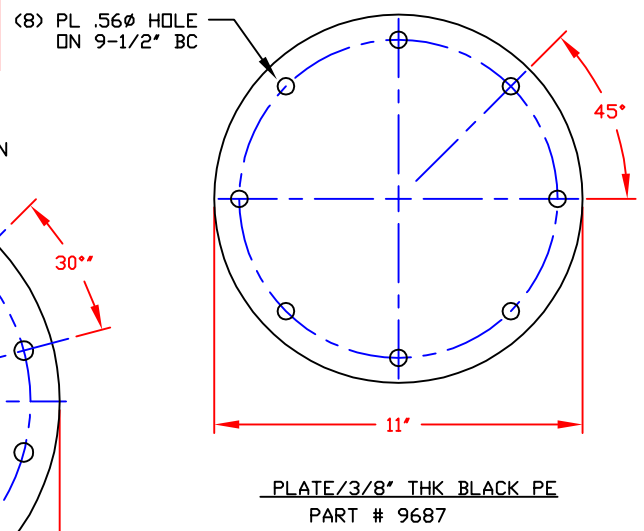
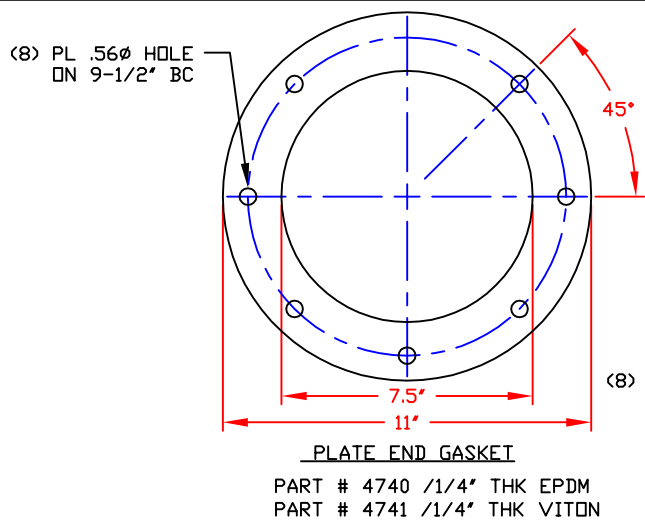
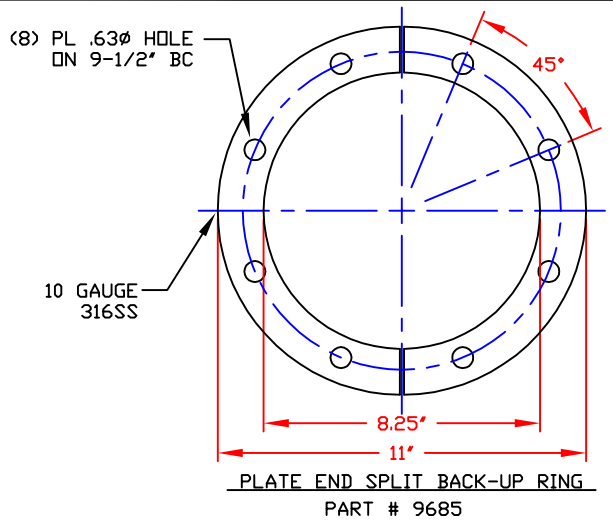
NOTES:


1. THIS IS A COMPUTER GENERATED DRAWING. DO NOT REVISE BY HAND.

REV "B" REVISED CENTER LINE ELEVATION DIMENSION FROM 10-3/4" TO 12" BY:BT 3/17/10 CK:BD

REV "A" REVISED PART NUMBERS BY:JB 2/25/10 CK:TR

DWG TITLE			
2" & 3" TRANSITION FITTING II W/PTFE FLEX JOINT			
SCALE:	3"=1'-0"	 Central Region P.O. Box 4029 71029 2801 Old Stoneington Rd Norcross, LA 71023 (504) 343-7545 FAX (504) 343-8790	DR:
DATE:	8/24/09		CK:
SHEET		COMPUTER FILE	REV
1 OF 2		2-3TRANSIIPTFE1	B



DWG TITLE			
2" & 3" TRANSITION FITTING II			
SCALE:	3"=1'-0"	 Central Region P.O. Box 4159 (71211) 8201 Old Sterlington Rd. Monroe, LA 71203 (504) 343-7565 FAX (504) 343-8795	DR:
DATE:	8/24/09		B THURMON
SHEET		COMPUTER FILE	REV
2 OF 2		2-3TRANSIIPFE2	