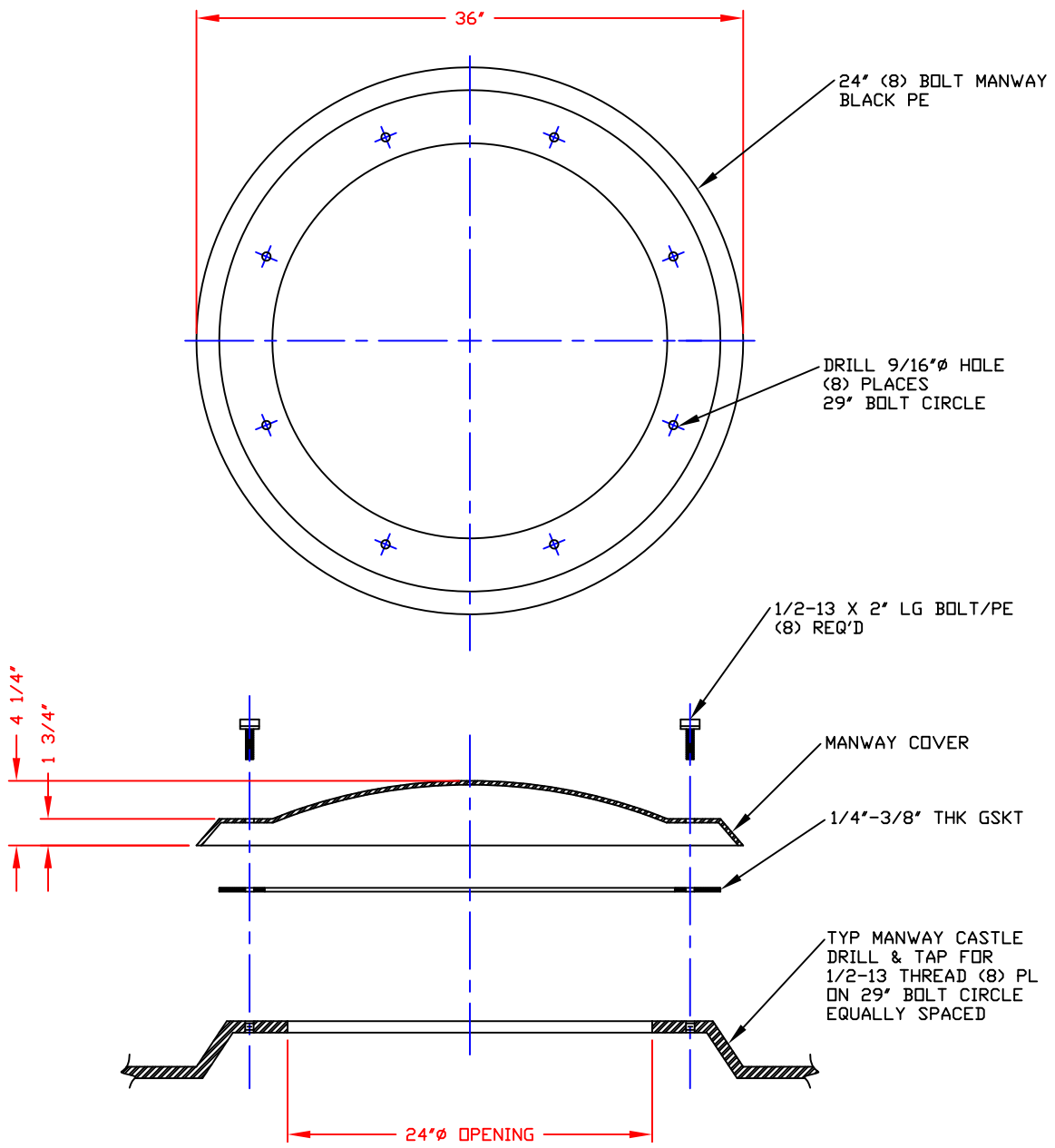


NON-CONTROLLED COPY  
 INFORMATION SUBJECT TO CHANGE WITHOUT NOTICE  
 VERIFY REV LEVEL OF PAPER COPY WITH REV LEVEL ON PPC WEB SITE

Gasket Material:



- NOTES:**
1. THIS IS A COMPUTER GENERATED DWG. DO NOT REVISE BY HAND.
  2. PPC STOCK NO. 3218 (DOES NOT INCLUDE GASKET).
  3. ALSO AVAILABLE 16 BOLTS. PPC STOCK NO. 3219.

DWG TITLE			
24" (8) BOLTED MANWAY COVER			
SCALE:	NONE	 Central Region P.O. Box 4120 (71211) 8801 Old Sterlington Rd. Monroe, LA 71203 (504) 343-7565 FAX (504) 343-8795	DR:
DATE:	6/30/10		CK:
		SHEET	COMPUTER FILE
		1 OF 1	24MWYM
		REV	-