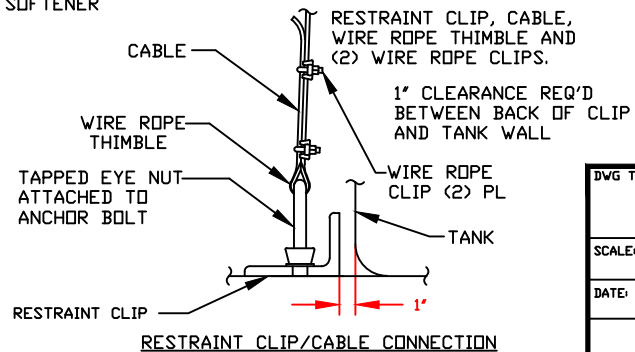
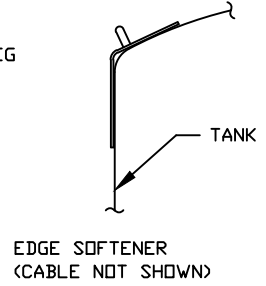
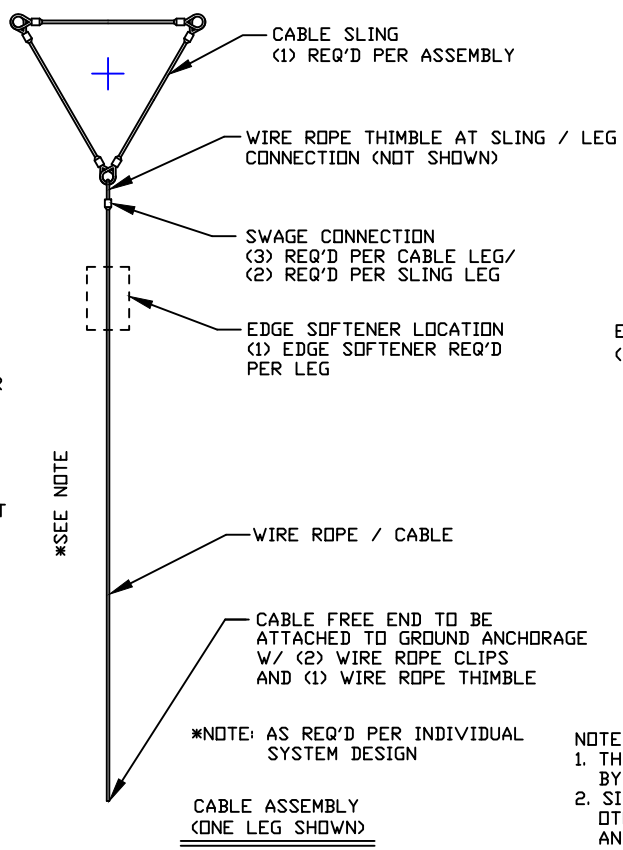
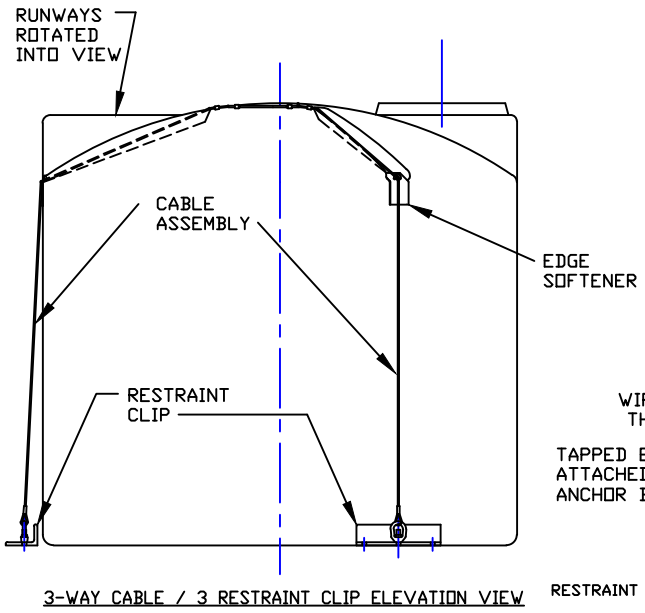
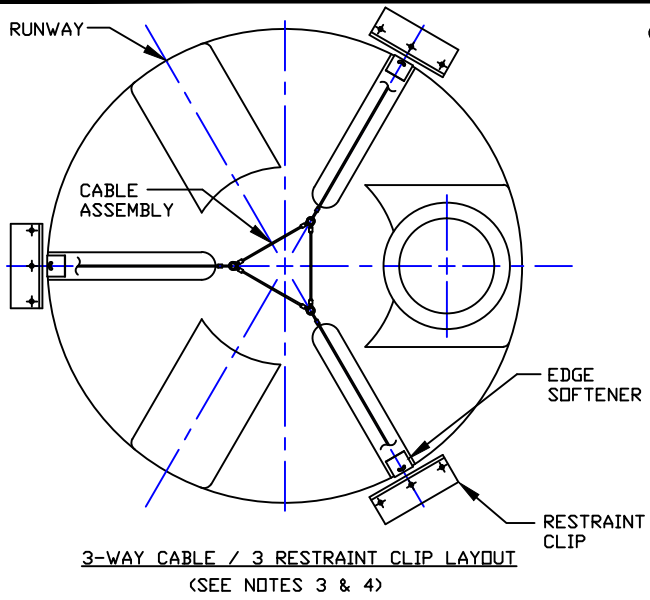


NON-CONTROLLED COPY
 INFORMATION SUBJECT TO CHANGE WITHOUT NOTICE
 VERIFY REV LEVEL OF PAPER COPY WITH REV LEVEL ON PPC WEB SITE



- NOTES:
1. THIS IS A COMPUTER GENERATED DRAWING. DO NOT REVISE BY HAND.
 2. SIZE AND QUANTITY OF RESTRAINT CLIPS, CABLE LEGS AND OTHER COMPONENTS MAY VARY ACCORDING TO TANK SIZE AND RESTRAINT SYSTEM RATING.
 3. RESTRAINT SYSTEM MAY CONSIST OF RESTRAINT CLIPS ONLY.
 4. ANCHOR BOLTS TO BE SUPPLIED BY OTHERS.
 5. ANCHOR BOLT LENGTH, EMBEDMENT AND METHOD OF ANCHORAGE TO BE DETERMINED BY A FOUNDATION ENGINEER UPON INSPECTION OF THE INSTALLATION SITE AND REVIEW OF THE APPLICABLE LOADS.

DWG TITLE			
RESTRAINT SYSTEM FOR VERTICAL TANKS / GLV			
SCALE:	1/2"=1'-0"	Central Region P.O. Box 409 (71223) 5281 Old Starbuckton Rd. Monroe, LA 71203 (504) 342-7565 FAX (504) 343-8795	DR:
DATE:	7/2/10		CK:
		SHEET	COMPUTER FILE
		1 OF 1	GLVRESTSYSM -