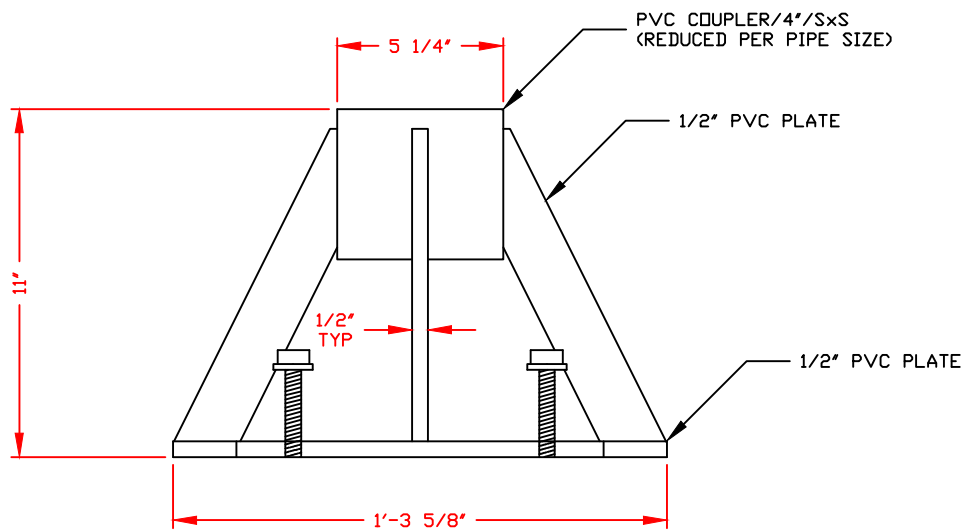
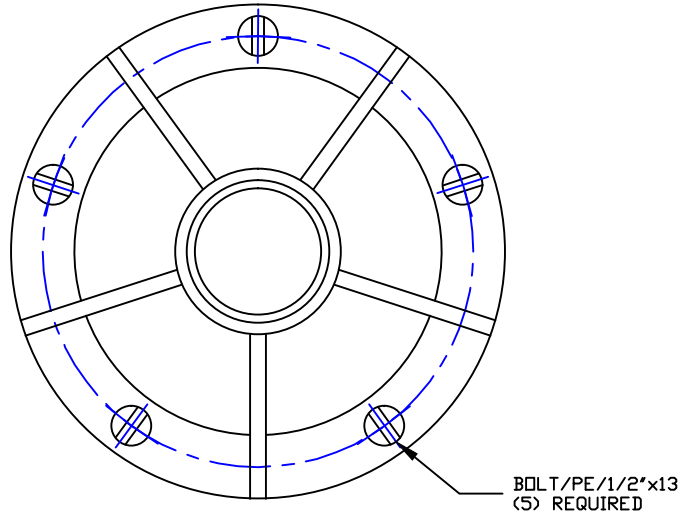



NON-CONTROLLED COPY
 INFORMATION SUBJECT TO CHANGE WITHOUT NOTICE
 VERIFY REV LEVEL OF PAPER COPY WITH REV LEVEL ON PPC WEB SITE



NOTES:
 1. THIS IS A COMPUTER GENERATED DWG. DO NOT REVISE BY HAND.
 2. PPC STOCK NO. 10324

DWG TITLE			
FREE STANDING INTERNAL PIPE SUPPORT			
SCALE:	3"=1'-0"	 Central Region P.O. Box 4589 (75053) 28th. Old Swanton Rd. Norcross, LA 75053 CSD) 343-7865 FAX (282) 343-9795	DR:
DATE:	4/04/11		B. THURMON
		CK:	J. BRANTLEY
		SHEET	COMPUTER FILE
		1 OF 1	PSSTANDM
		REV	-