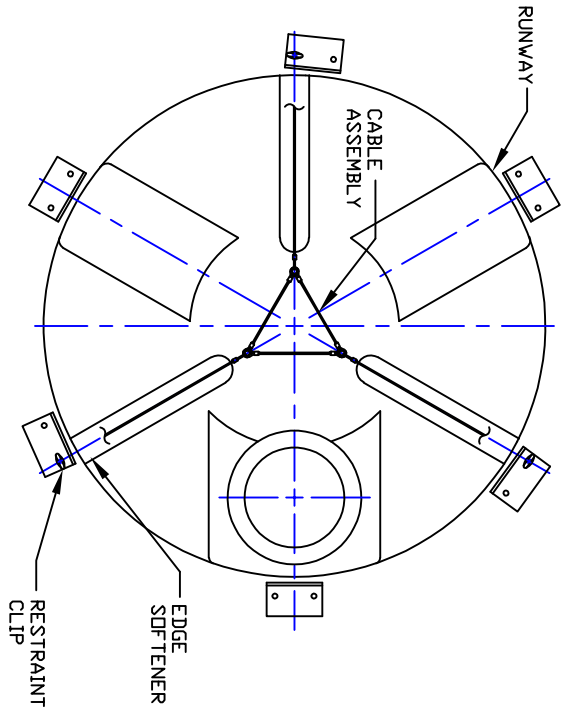
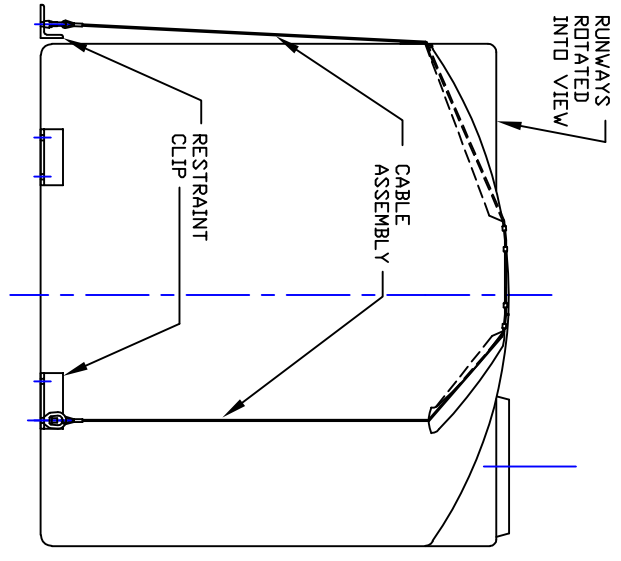


NON-CONTROLLED COPY  
 INFORMATION SUBJECT TO CHANGE WITHOUT NOTICE  
 COPY WILL NOT BE UPDATED

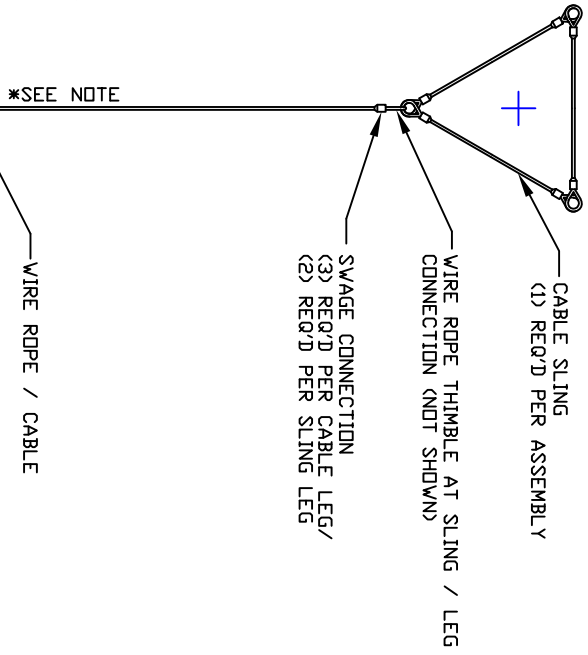
COPY ISSUED BY \_\_\_\_\_  
 COPY ISSUED ON \_\_\_\_\_



3-WAY CABLE / 6 RESTRAINT CLIP LAYOUT  
 (SEE NOTES 3 & 4)



3-WAY CABLE / 6 RESTRAINT CLIP ELEVATION VIEW



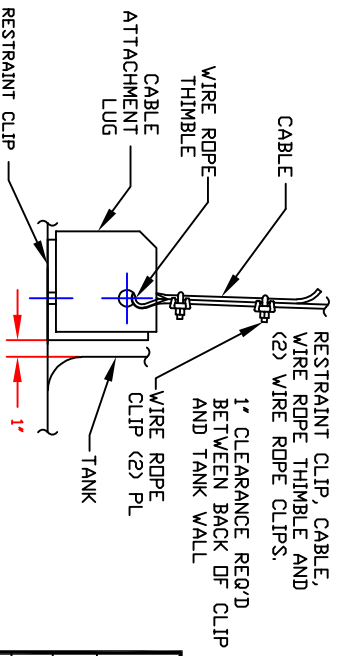
CABLE FREE END TO BE ATTACHED TO GROUND ANCHORAGE W/ (2) WIRE ROPE CLIPS AND (1) WIRE ROPE THIMBLE

\*NOTE: AS REQ'D PER INDIVIDUAL SYSTEM DESIGN

CABLE ASSEMBLY (ONE LEG SHOWN)

RESTRAINT CLIP, CABLE, WIRE ROPE THIMBLE AND (2) WIRE ROPE CLIPS.

1' CLEARANCE REQ'D BETWEEN BACK OF CLIP AND TANK WALL



- NOTES:
1. THIS IS A COMPUTER GENERATED DRAWING. DO NOT REVISE BY HAND.
  2. SIZE AND QUANTITY OF RESTRAINT CLIPS, CABLE LEGS AND OTHER COMPONENTS MAY VARY ACCORDING TO TANK SIZE AND RESTRAINT SYSTEM RATING.
  3. RESTRAINT SYSTEM MAY CONSIST OF RESTRAINT CLIPS ONLY.
  4. ANCHOR BOLTS TO BE SUPPLIED BY OTHERS.
  5. ANCHOR BOLT LENGTH, EMBEDMENT AND METHOD OF ANCHORAGE TO BE DETERMINED BY A FOUNDATION ENGINEER UPON INSPECTION OF THE INSTALLATION SITE AND REVIEW OF THE APPLICABLE LOADS.

DWG TITLE		RESTRAINT SYSTEM/SS FOR VERTICAL TANKS	
SCALE:	1/2"=1'-0"	DR:	B. HARPER
DATE:	5/20/2020	CK:	
		Central Region P.O. Box 458, Orem, UT 84057 Phone: 801-224-2600 Fax: 801-224-2600	
SHEET	1 OF 1	COMPUTER FILE	2018RESTSSSSYSM
REV			