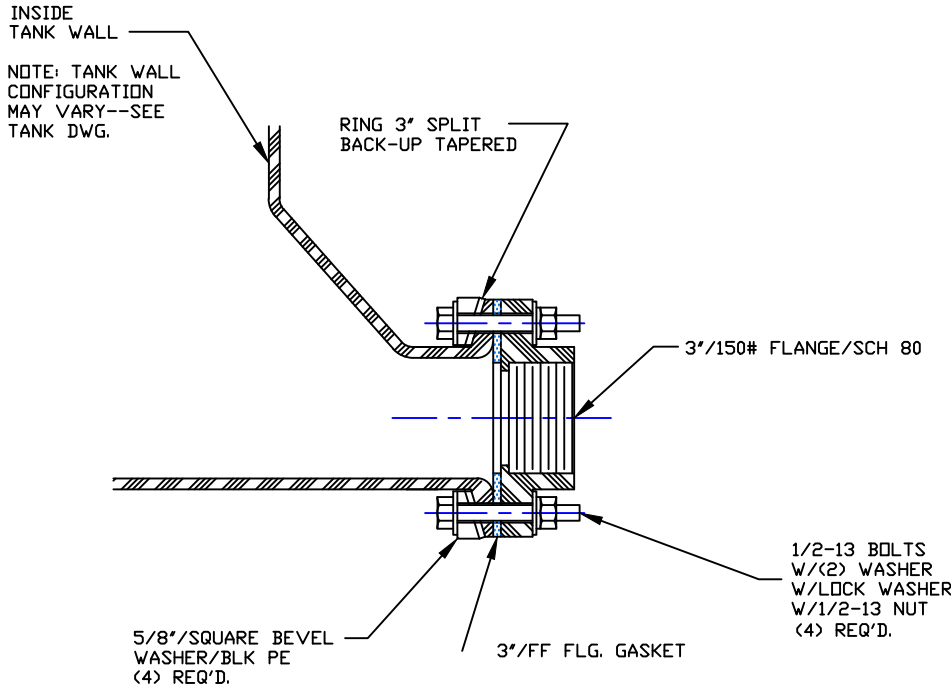



NON-CONTROLLED COPY
 INFORMATION SUBJECT TO CHANGE WITHOUT NOTICE
 VERIFY REV LEVEL OF PAPER COPY WITH REV LEVEL ON PPC WEB SITE

| |
|-------------------|
| Fitting Material: |
| |
| Bolt Type: |
| |
| Gasket Material: |
| |



NOTES
 1. THIS IS A COMPUTER GENERATED DRAWING. DO NOT REVISE BY HAND.
 2. IF NECESSARY, TIGHTEN THE BOLTS ON THE FITTING BY PULLING DOWN THE NUTS DIAMETRICALLY OPPOSITE EACH OTHER IN SMALL INCREMENTS, USING A TORQUE WRENCH. TORQUE TO APPROX. 15/20 FT. LBS.

| | | | |
|-----------------------------------|----------|--|-----------------|
| DWG TITLE | | | |
| 3"/TAPERED IMFO NOZZLE (THREADED) | | | |
| SCALE: | 3"-1'-0" |  Central Region P.O. Box 4589 • FRENCH 2284 Old Springington Rd. Monroe, LA 70503 (504) 343-7843 FAX (504) 343-9795 | DR: C. DAVIES |
| DATE: | 4/28/10 | | CK: J. BRANTLEY |
| | | SHEET | COMPUTER FILE |
| | | 1 OF 1 | T3IMFDMT - |