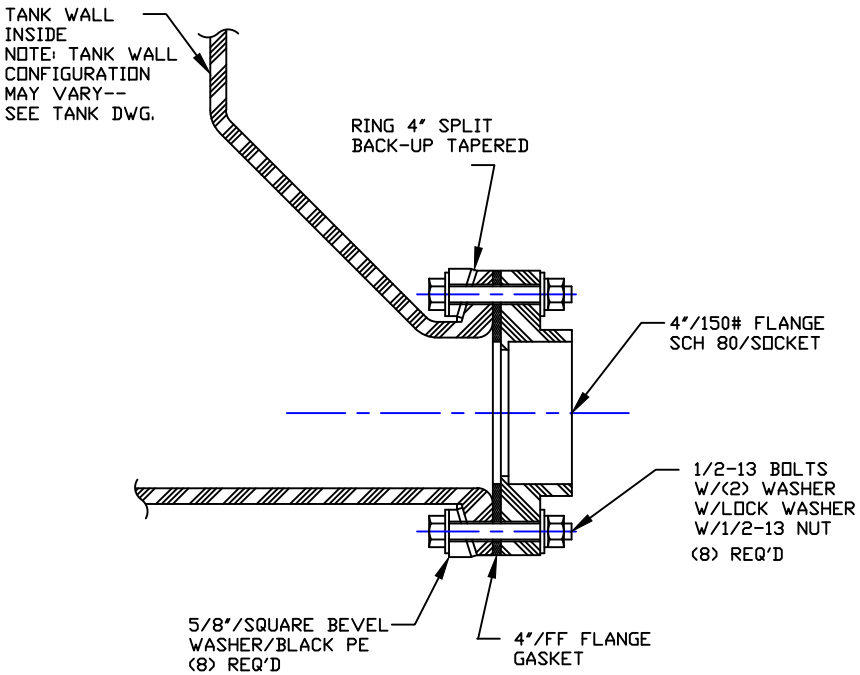



NON-CONTROLLED COPY
 INFORMATION SUBJECT TO CHANGE WITHOUT NOTICE
 VERIFY REV LEVEL OF PAPER COPY WITH REV LEVEL ON PPC WEB SITE

Fitting Material:
Bolt Type:
Gasket Material:



NOTES

1. THIS IS A COMPUTER GENERATED DRAWING. DO NOT REVISE BY HAND.
2. IF NECESSARY, TIGHTEN THE BOLTS ON THE FITTING BY PULLING DOWN THE NUTS DIAMETRICALLY OPPOSITE EACH OTHER IN SMALL INCREMENTS, USING A TORQUE WRENCH. TORQUE TO APPROX. 15/20 FT. LBS.

DWG TITLE			
4"/TAPERED IMFO NOZZLE (SOCKET)			
SCALE:	3"=1'-0"	 Central Region P.O. Box 4589-0183 228th St & Springton Rd. Norwego, LA 72853 (504) 343-7843 FAX (504) 343-9795	DR: C. DAVIES
DATE:	4/28/10		CK: J. BRANTLEY
		SHEET	COMPUTER FILE
		1 OF 1	T4IMF0MSM -