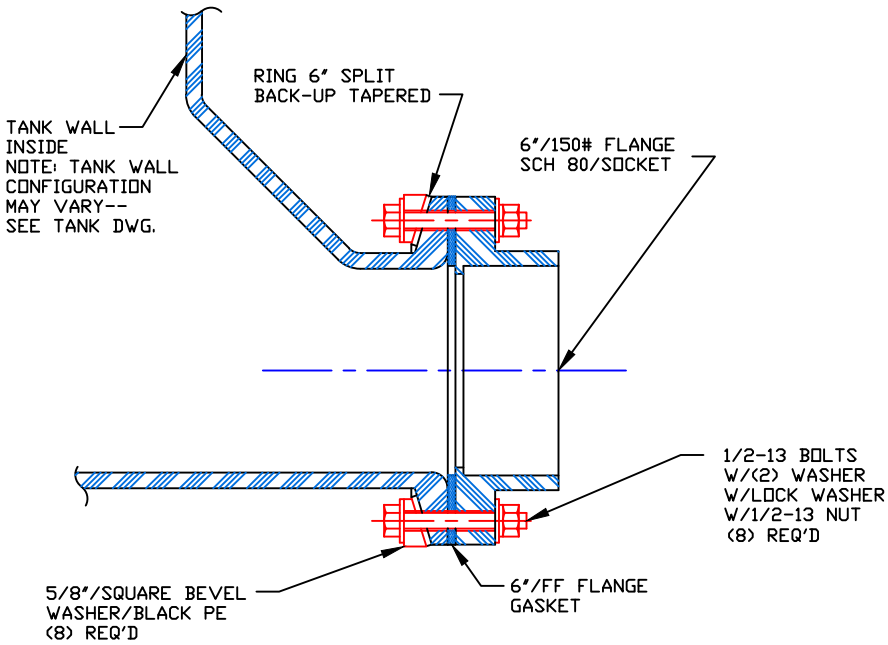


NON-CONTROLLED COPY
 INFORMATION SUBJECT TO CHANGE WITHOUT NOTICE
 VERIFY REV LEVEL OF PAPER COPY WITH REV LEVEL ON PPC WEB SITE

Fitting Material:
Bolt Type:
Gasket Material:



- NOTES**
1. THIS IS A COMPUTER GENERATED DRAWING. DO NOT REVISE BY HAND.
 2. IF NECESSARY, TIGHTEN THE BOLTS ON THE FITTING BY PULLING DOWN THE NUTS DIAMETRICALLY OPPOSITE EACH OTHER IN SMALL INCREMENTS, USING A TORQUE WRENCH. TORQUE TO APPROX. 15/20 FT. LBS.

DWG TITLE		6"/TAPERED IMFO NOZZLE		
SCALE:	3"=1'-0"	 POLYPROCESSING COMPANY, LLC	Central Region P.O. Box 4599, Gretna, LA 70056 343-7843 343-9795	DR: C. DAVIES
DATE:	4/28/10		CK: J. BRANTLEY	
		SHEET	COMPUTER FILE	REV
		1 OF 1	T6IMFOM	-