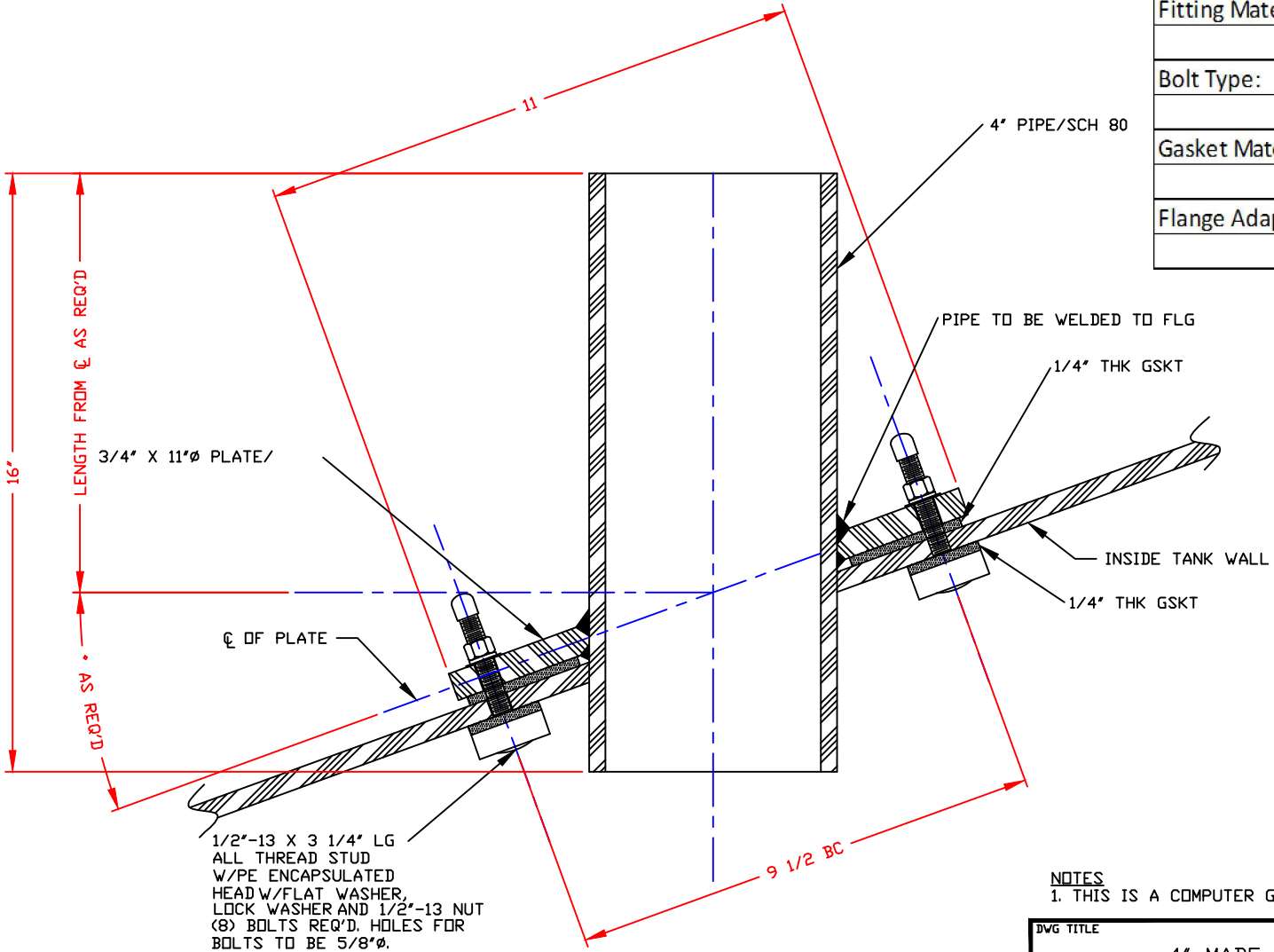


NON-CONTROLLED COPY
 INFORMATION SUBJECT TO CHANGE WITHOUT NOTICE
 VERIFY REV LEVEL OF PAPER COPY WITH REV LEVEL ON PPC WEB SITE

Fitting Material:
Bolt Type:
Gasket Material:
Flange Adapter Req'd:



1/2"-13 X 3 1/4" LG
 ALL THREAD STUD
 W/PE ENCAPSULATED
 HEAD W/FLAT WASHER,
 LOCK WASHER AND 1/2"-13 NUT
 (8) BOLTS REQ'D. HOLES FOR
 BOLTS TO BE 5/8"Ø.

NOTES
 1. THIS IS A COMPUTER GENERATED DWG. DO NOT REVISE BY HAND.

DWG TITLE			
4" MADE VERTICAL FITTING			
SCALE:	NONE	 Central Region P.O. Box 4589 Grand Bay, Old Shorthorn Rd. Norwego, LA 72665 CSD: 343-7863 FAX: (504) 343-9795	DR: C. DAVIES
DATE:	4/28/10		CK: J. BRANTLEY
		SHEET	COMPUTER FILE
		1 OF 1	TTDFTG4M -