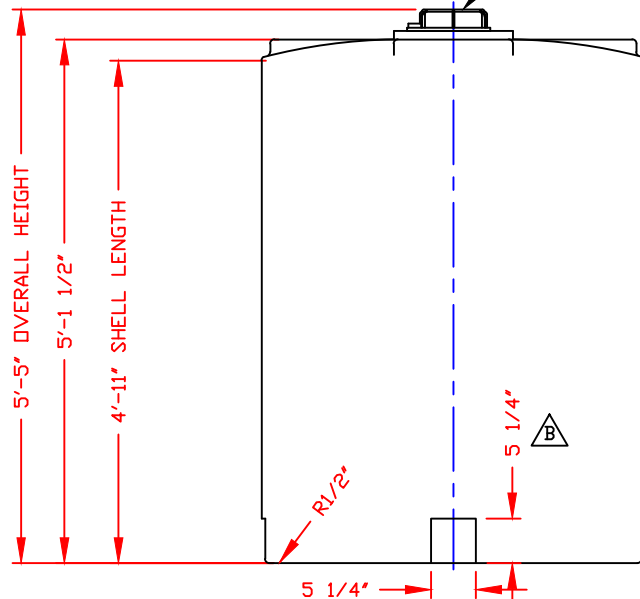


△ A
STANDARD COVER:
7"/TH'D CAP/BLANK/
CHMPLS/BLACK PE
PPC STOCK NO. 4565




NOTE:
MUST USE FLEXIBLE
CONNECTIONS ALL
LOWER SIDEWALL
FITTINGS

NOZZLE SCHEDULE & ACCESSORIES					
SERVICE	MK	STOCK NO.	SIZE	FITTING	DEG ELEV

- NOTES**
1. THIS IS A COMPUTER GENERATED DWG. DO NOT REVISE BY HAND.
 2. DIMENSIONS WILL VARY ±3% DUE TO VARIATIONS IN MULTIPLE MOLDS & CONDITIONS PREVALANT DURING MANUFACTURE & USAGE.
 3. NO MOLDED IN GALLONAGE MARKERS THIS TANK.

CALCULATED CAPACITIES/ VOLUME IN U.S. GALLONS		
DESIGN CAP	DOME VOL	TOTAL VOL
399	7	406

CONFIDENTIAL PROPERTY OF
POLY PROCESSING COMPANY
NOT FOR REPRINT OR USE
WITHOUT PERMISSION

DWG TITLE 400 GALLON UPRIGHT TANK			
SCALE: 3/4"=1'-0"	 POLYPROCESSING SOLUTIONS, SIMPLIFIED.	Central Region P.O. Box 4150 (71211) 2201 Old Sterlington Rd. Monroe, LA 71203 C180 343-7565 FAX C180 343-8795	DR: MB WILKERSON
DATE: 2/12/03		CK: J. BRANTLEY	
REV "B" REVISED FTG FLAT DIMENSIONS BY:JB 8/3/16 CK:WM REV "A" REVISED COVER BY:JB 7/26/09 CK:WM		SHEET 1 OF 1	COMPUTER FILE 1000400 REV B