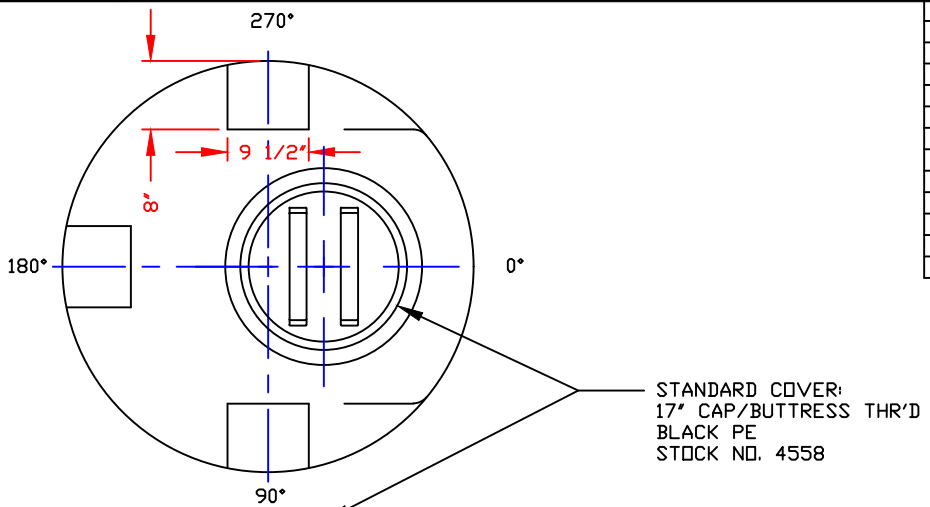
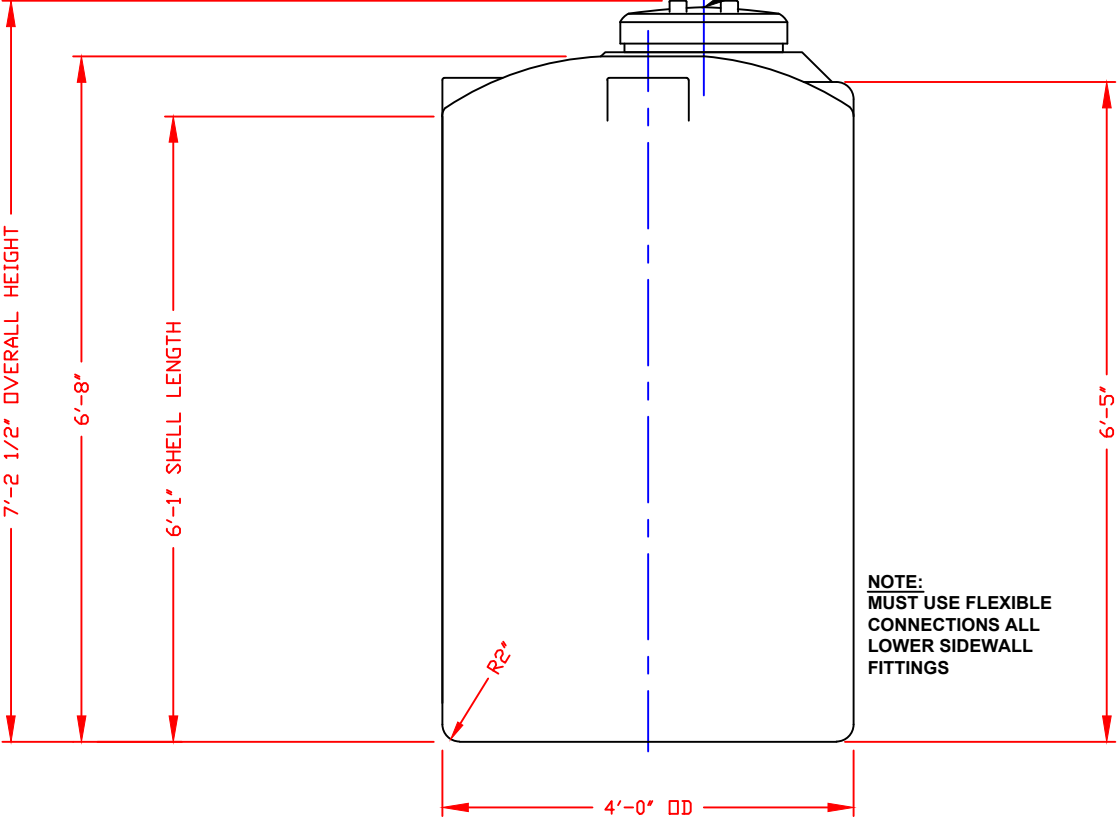


NON-CONTROLLED COPY  
 INFORMATION SUBJECT TO CHANGE WITHOUT NOTICE  
 VERIFY REV LEVEL OF PAPER COPY WITH REV LEVEL ON PPC WEB SITE



NOZZLE SCHEDULE & ACCESSORIES						
SERVICE	MK	STOCK NO.	SIZE	FITTING	DEG	ELEV




**NOTE:**  
 MUST USE FLEXIBLE CONNECTIONS ALL LOWER SIDEWALL FITTINGS

- NOTES**
1. THIS IS A COMPUTER GENERATED DWG. DO NOT REVISE BY HAND.
  2. DIMENSIONS WILL VARY ±3% DUE TO VARIATIONS IN MULTIPLE MOLDS & CONDITIONS PREVALENT DURING MANUFACTURE & USAGE.
  3. MOLDED IN GALLONAGE MARKERS @ APPROX. 15° IN 50 GALLON INCREMENTS UP TO 500 GALLON.

CALCULATED CAPACITIES/ VOLUME IN U.S. GALLONS		
DESIGN CAP	DOME VOL	TOTAL VOL
540	25	565

CONFIDENTIAL PROPERTY OF  
 POLY PROCESSING COMPANY  
 NOT FOR REPRINT OR USE  
 WITHOUT PERMISSION

DWG TITLE			
546 GALLON UPRIGHT TANK			
SCALE:	3/4"=1'-0"	 <b>POLYPROCESSING</b> SOLUTIONS. SIMPLIFIED.	DR:
DATE:	10/18/18		J. BRANTLEY
Central Region P.O. Box 4159 (71281) 2801 Old Springington Rd. Houma, LA 71293 CITY 343-7563 FAX 337-8795		CK:	
SHEET		COMPUTER FILE	REV
1 OF 1		1000546	-