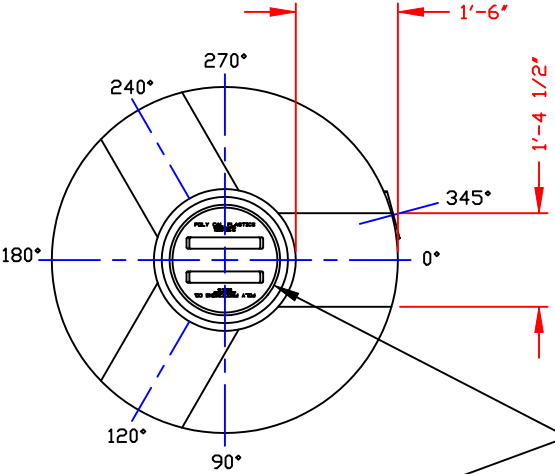


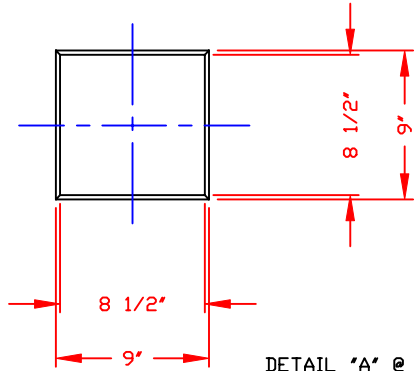
NON-CONTROLLED COPY
 INFORMATION SUBJECT TO CHANGE WITHOUT NOTICE
 COPY WILL NOT BE UPDATED

COPY ISSUED BY.....
 COPY ISSUED ON.....

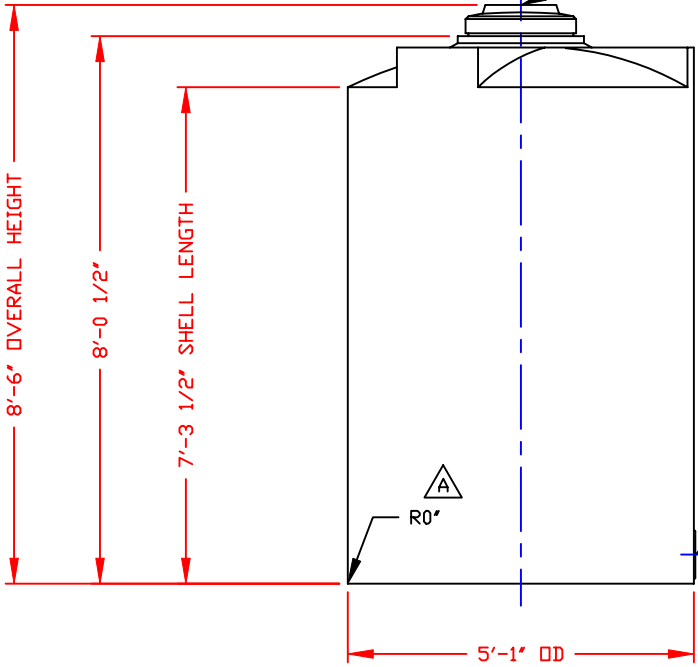
NOZZLE SCHEDULE & ACCESSORIES					
SERVICE	MK	STOCK NO.	SIZE	FITTING	DEG ELEV



STANDARD COVER:
 1 7/8" BUTTRESS THREAD CAP/
 BLK PE
 PPC STOCK NO. 4558



DETAIL "A" @ 345°
 SCALE: 1 1/2"=1'-0"



NOTE:
 MUST USE FLEXIBLE
 CONNECTIONS ALL
 LOWER SIDEWALL
 FITTINGS

- NOTES:**
1. THIS IS A COMPUTER GENERATED DWG. DO NOT REVISE BY HAND.
 2. DIMENSIONS WILL VARY ±3% DUE TO VARIATIONS IN MULTIPLE MOLDS & CONDITIONS PREVALENT DURING MANUFACTURE & USAGE.
 3. MOLDED IN GALLONAGE MARKERS @ 0° IN 100 GAL INCREMENTS FROM 200 GAL TO 900 GAL. AVOID WHEN FITTING.

CALCULATED CAPACITIES/ VOLUME IN U.S. GALLONS		
DESIGN CAP	DOME VOL	TOTAL VOL
1097	52	1149

CONFIDENTIAL PROPERTY OF
 POLY PROCESSING COMPANY
 NOT FOR REPRINT OR USE
 WITHOUT PERMISSION

DWG TITLE				
1050 GALLON UPRIGHT TANK				
SCALE:	1/2"=1'-0"	POLY PROCESSING Company	Central Region P.O. Box 4150 (71211) 2261 Old Stoneington Rd. Morrow, LA 71263 (504) 343-7545 FAX (504) 343-8795	DR: MB WILKERSON
DATE:	9/20/99			CK: D. RECTOR
REV "B" ADDED FITTING NOTE BY:MBW 2/11/03 CK:JB REV "A" ADDED RADIUS BY:MBW 2/22/00 CK:DR			SHEET	COMPUTER FILE
			1 OF 1	1001050
				B