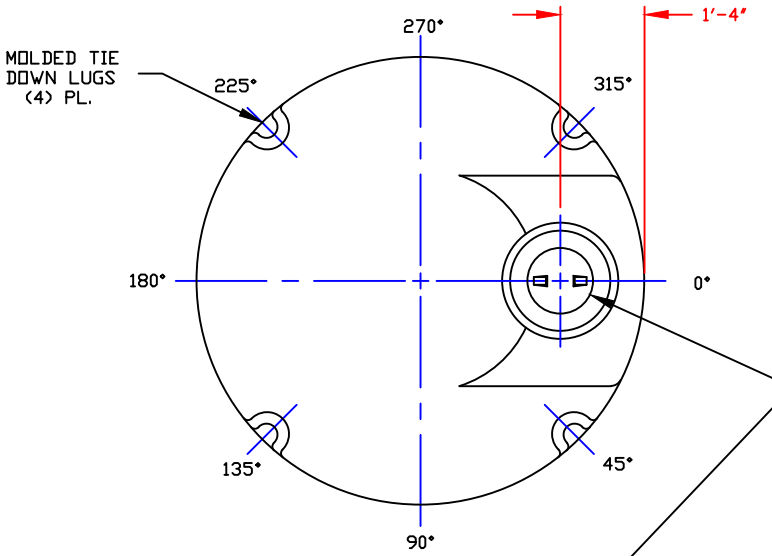
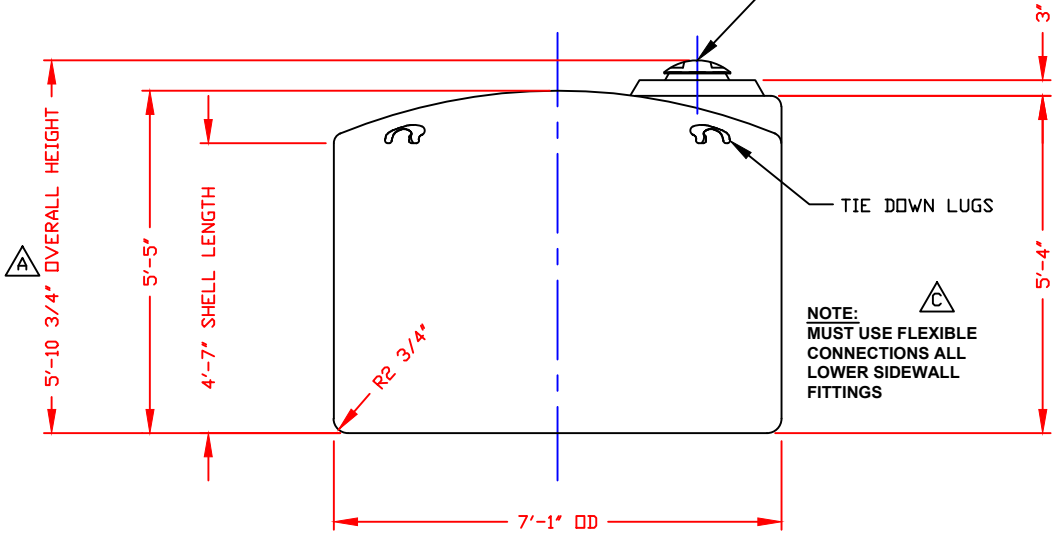


NON-CONTROLLED COPY
 INFORMATION SUBJECT TO CHANGE WITHOUT NOTICE
 VERIFY REV LEVEL OF PAPER COPY WITH REV LEVEL ON PPC WEB SITE

NOZZLE SCHEDULE & ACCESSORIES						
SERVICE	MK	STOCK NO.	SIZE	FITTING	DEG	ELEV



STANDARD COVER: B
 10" THRD MUSHROOM LID/BLACK/PE
 PPC STOCK NO. 4791
 (OPTIONAL 19" COVERS AVAILABLE)




NOTE: C
 MUST USE FLEXIBLE
 CONNECTIONS ALL
 LOWER SIDEWALL
 FITTINGS

- NOTES
- THIS IS A COMPUTER GENERATED DWG. DO NOT REVISE BY HAND.
 - DIMENSIONS WILL VARY ±3% DUE TO VARIATIONS IN MULTIPLE MOLDS & CONDITIONS PREVALENT DURING MANUFACTURE & USAGE.
 - MOLDED IN GALLONAGE MARKERS @ APPROX. 13" UP TO 1200 GAL.

CALCULATED CAPACITIES/ VOLUME IN U.S. GALLONS		
DESIGN CAP	DOME VOL	TOTAL VOL
1333	142	1475

CONFIDENTIAL PROPERTY OF
 POLY PROCESSING COMPANY
 NOT FOR REPRINT OR USE
 WITHOUT PERMISSION

DWG TITLE			
1300 GALLON UPRIGHT TANK			
SCALE:	1/2"=1'-0"	 Central Region P.O. Box 4588 (71833) 2501 Old Springington Rd. Norwego, LA 71063 (504) 343-7865 FAX (504) 343-9795	DR:
DATE:	9/22/99		CK:
REV "C" ADDED FITTING NOTE BY:MBW 2/11/03 CK:JB		SHEET	COMPUTER FILE
REV "B" REVISED LID BY:MBW 2/11/03 CK:JB		1 OF 1	1001300
REV "A" ADDED DIMENSION BY:JB 10/16/02 CK:MBW			C