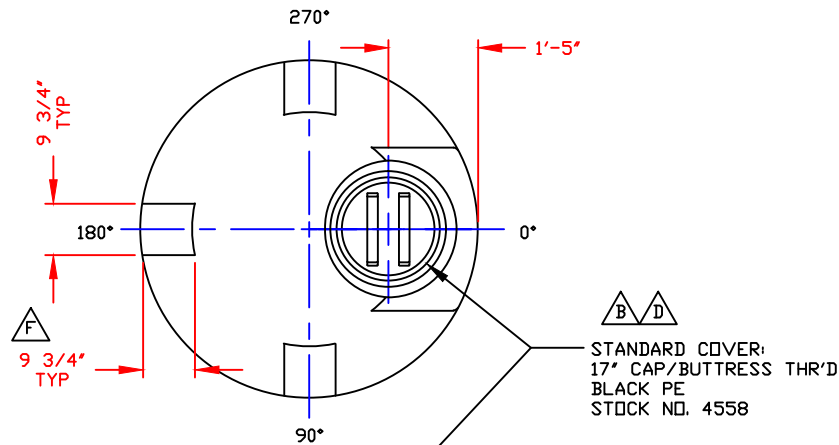
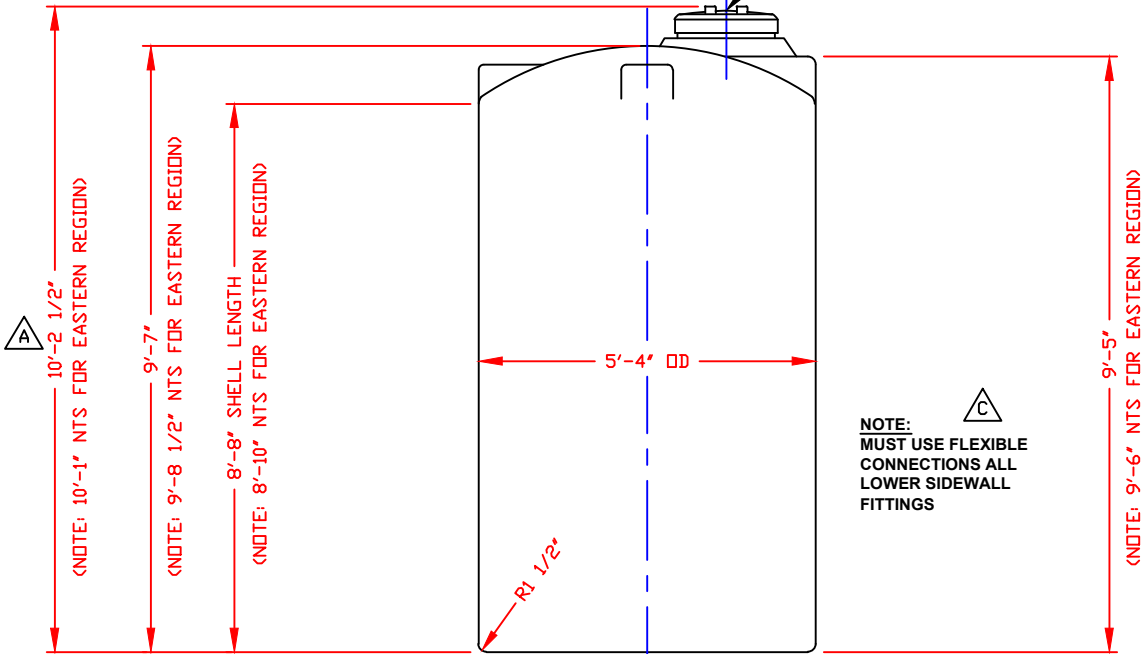


NON-CONTROLLED COPY  
 INFORMATION SUBJECT TO CHANGE WITHOUT NOTICE  
 VERIFY REV LEVEL OF PAPER COPY WITH REV LEVEL ON PPC WEB SITE



NOZZLE SCHEDULE & ACCESSORIES						
SERVICE	MK	STOCK NO.	SIZE	FITTING	DEG	ELEV

**B D**  
 STANDARD COVER:  
 17" CAP/BUTTRESS THR'D  
 BLACK PE  
 STOCK NO. 4558




- NOTES:**
1. THIS IS A COMPUTER GENERATED DWG. DO NOT REVISE BY HAND.
  2. DIMENSIONS WILL VARY ±3% DUE TO VARIATIONS IN MULTIPLE MOLDS & CONDITIONS PREVALENT DURING MANUFACTURE & USAGE.
  3. MOLDED IN GALLONAGE MARKERS IN MANWAY AREA IN 100 GALLON INCREMENTS UP TO 1400 GAL. CENTRAL REGION.
  4. 4 1/2" WIDE MOLDED IN GALLONAGE MARKERS @ APPROX 15° IN 100 GAL INCREMENTS UP TO 1300 GAL. AVOID WHEN FITTING. EASTERN REGION.

**C**  
 NOTE:  
 MUST USE FLEXIBLE  
 CONNECTIONS ALL  
 LOWER SIDEWALL  
 FITTINGS

CALCULATED CAPACITIES/ VOLUME IN U.S. GALLONS		
DESIGN CAP	DOME VOL	TOTAL VOL
1424	61	1485

CONFIDENTIAL PROPERTY OF  
 PDLY PROCESSING COMPANY  
 NOT FOR REPRINT OR USE  
 WITHOUT PERMISSION

DWG TITLE			
1400 GALLON UPRIGHT TANK			
SCALE:	1/2"=1'-0"	 Central Region P.O. Box 4950 Gretna 2854 Old Stoneington Rd. Norcross, LA 72603 CSB# 343-7863 FAX CSB# 343-6795	DR: MB WILKERSON
DATE:	9/22/99		CK: D. RECTOR
SHEET		COMPUTER FILE	REV
1 OF 1		1001400	F

- REV "D" REVISED COVER BY:JB 7/23/09 CK:WM
- REV "C" ADDED FITTING NOTE BY:MBW 2/17/03 CK:JB
- REV "B" REVISED LID BY:MBW 2/17/03 CK:JB
- REV "A" ADDED DIMENSION BY:JB 10/16/02 CK:MBW

- REV "F" ADDED FTG FLATS TO DOME BY:JB 12/3/12 CK:WM
- REV "E" REVISED MANWAY CONFIGURATION BY:JB 1/6/11 CK:WM