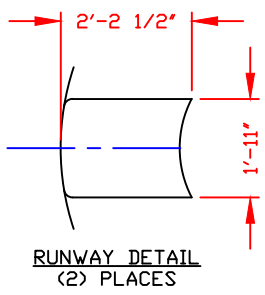
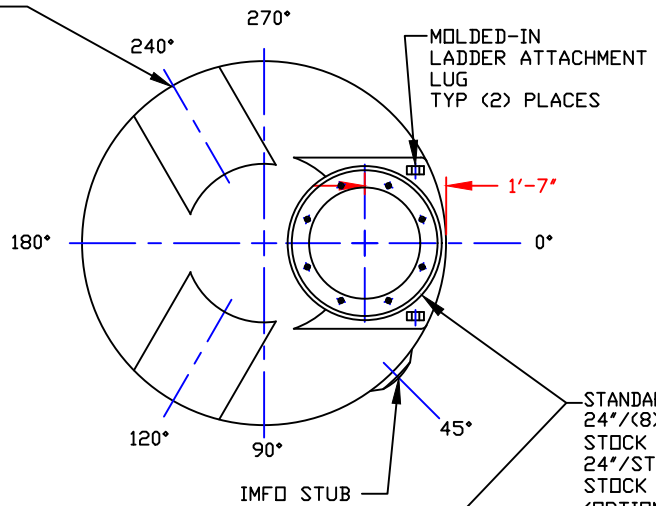


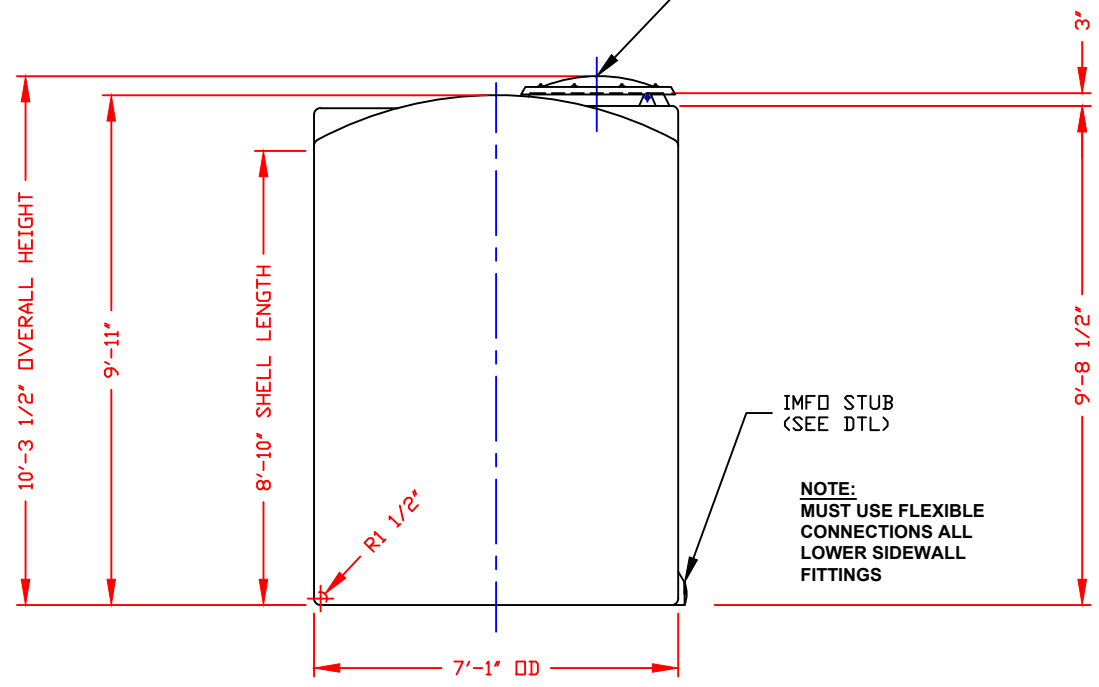
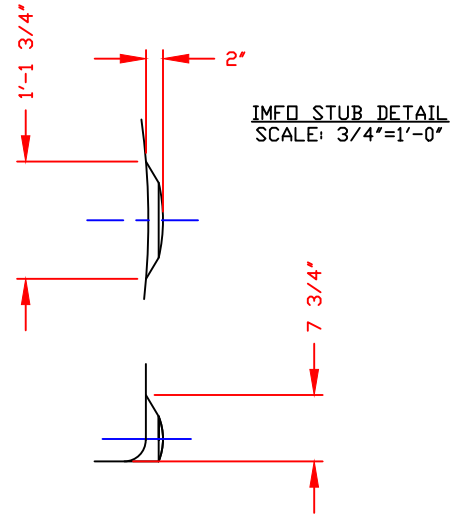
NON-CONTROLLED COPY  
 INFORMATION SUBJECT TO CHANGE WITHOUT NOTICE  
 VERIFY REV LEVEL OF PAPER COPY WITH REV LEVEL ON PPC WEB SITE

RUNWAY  
 (2) PL  
 SEE DTL  
 ⚠



STANDARD COVER:  
 24"/(8) BOLT MANWAY COVER/PE (SHOWN)  
 STOCK NO. 3218 OR  
 24"/STRAPPED MANWAY COVER/PE  
 STOCK NO. 3217  
 (OPTIONAL 24" COVERS AVAILABLE)

NOZZLE SCHEDULE & ACCESSORIES					
SERVICE	MK	STOCK NO.	SIZE	FITTING	DEG ELEV



IMFO STUB  
 (SEE DTL)  
**NOTE:**  
 MUST USE FLEXIBLE  
 CONNECTIONS ALL  
 LOWER SIDEWALL  
 FITTINGS

- NOTES**
- THIS IS A COMPUTER GENERATED DWG. DO NOT REVISE BY HAND.
  - DIMENSIONS WILL VARY ±3% DUE TO VARIATIONS IN MULTIPLE MOLDS & CONDITIONS PREVALENT DURING MANUFACTURE & USAGE.
  - MOLDED IN GALLONAGE MARKERS @ APPROX 60° IN 200 GAL INCREMENTS UP TO 2400 GAL.

CALCULATED CAPACITIES/ VOLUME IN U.S. GALLONS		
DESIGN CAP	DOME VOL	TOTAL VOL
2559	142	2701

CONFIDENTIAL PROPERTY OF  
 POLY PROCESSING COMPANY  
 NOT FOR REPRINT OR USE  
 WITHOUT PERMISSION

DWG TITLE: 2550 GALLON UPRIGHT TANK (LA)

SCALE: 3/8"=1'-0"		Central Region P.O. Box 4190 CRETE 8201 Old Sherrington Rd. Harvey, LA 71301 CUPD 343-7565 FAX 504-343-8795	DR: J. BRANTLEY
DATE: 8/12/09		CK: W. MANUEL	
SHEET 1 OF 1		COMPUTER FILE 1002550L	REV B

REV "B" CORRECTED KNUCKLE RADIUS BY:JB 2/8/19  
 REV "A" ADDED RUNWAYS BY:JB 10/9/09 CK:CD