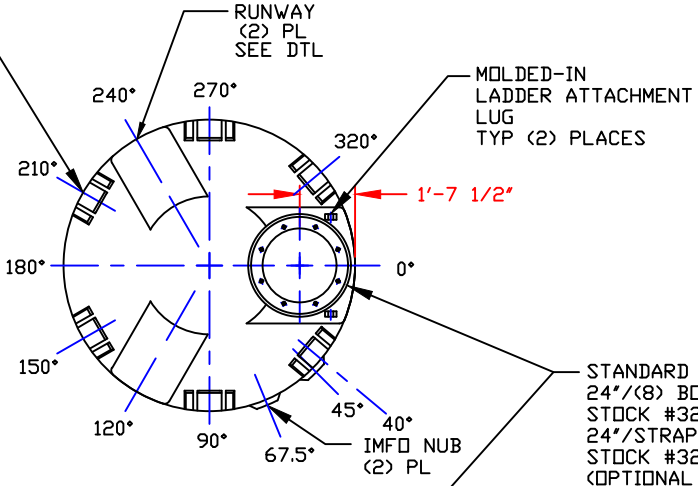
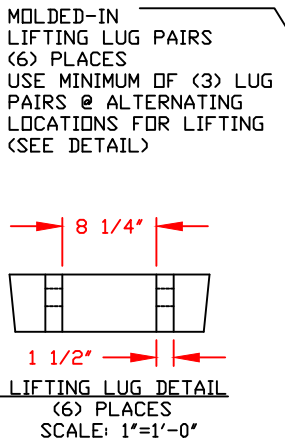
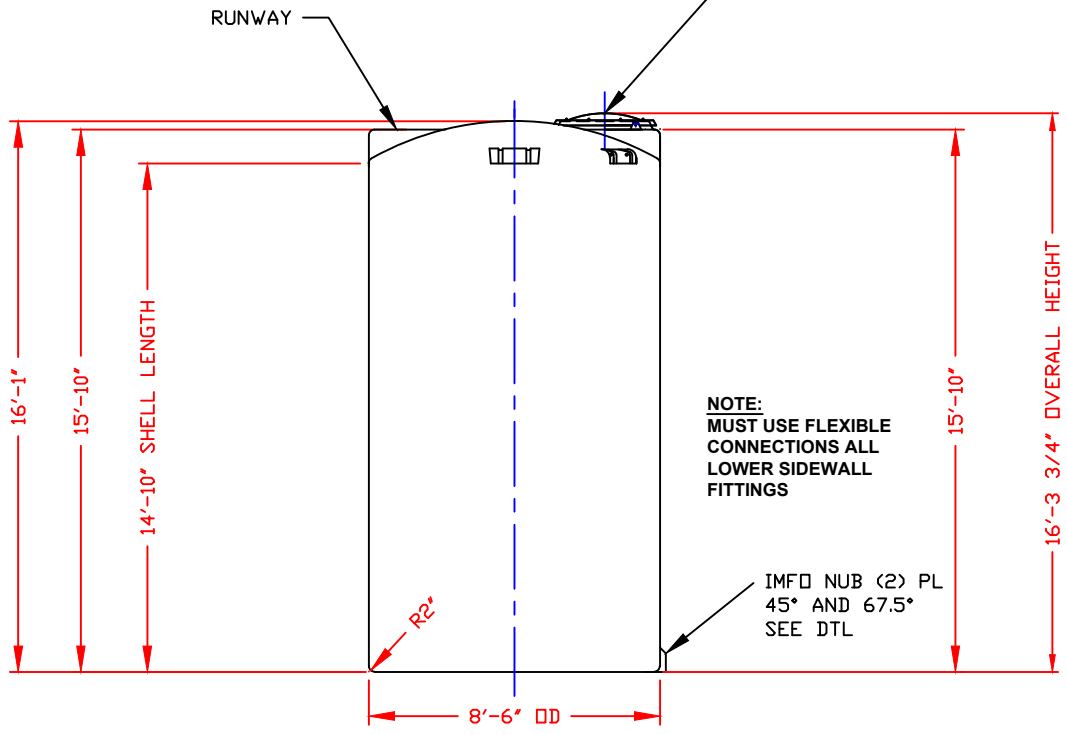


NON-CONTROLLED COPY
 INFORMATION SUBJECT TO CHANGE WITHOUT NOTICE
 VERIFY REV LEVEL OF PAPER COPY WITH REV LEVEL ON PPC WEB SITE

NOZZLE SCHEDULE & ACCESSORIES						
SERVICE	MK	STOCK NO.	SIZE	FITTING		DEG ELEV

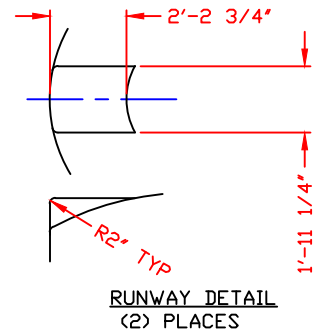
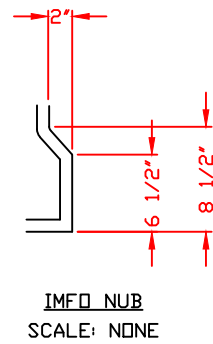


STANDARD COVER:
 24"/(8) BOLT MANWAY COVER/PE (SHOWN)
 STOCK #3218 OR
 24"/STRAPPED MANWAY COVER/PE
 STOCK #3217
 (OPTIONAL 24" COVERS AVAILABLE)



NOTE:
 MUST USE FLEXIBLE CONNECTIONS ALL LOWER SIDEWALL FITTINGS

IMFO NUB (2) PL
 45° AND 67.5°
 SEE DTL



- NOTES:
 1. THIS IS A COMPUTER GENERATED DWG. DO NOT REVISE BY HAND.
 2. DIMENSIONS WILL VARY ±3% DUE TO VARIATIONS IN MULTIPLE MOLDS & CONDITIONS PREVALENT DURING MANUFACTURE & USAGE.
 3. MOLDED IN GALLONAGE MARKERS @ 15° IN 200 GALLON INCREMENTS TO 5800 GALLONS.

CALCULATED CAPACITIES/ VOLUME IN U.S. GALLONS		
DESIGN CAP	DOME VOL	TOTAL VOL
6115	235	6350

CONFIDENTIAL PROPERTY OF
 POLY PROCESSING COMPANY
 NOT FOR REPRINT OR USE
 WITHOUT PERMISSION

DWG TITLE 6115 GALLON UPRIGHT TANK			
SCALE: 1/4"=1'-0"	 Central Region P.O. Box 4180 (71813) 2801 Old Starvation Rd. Monroe, LA 71203 (504) 343-7543 FAX (504) 343-8795	DR: J. BRANTLEY	
DATE: 10/18/18		CK: 	
SHEET 1 OF 1		COMPUTER FILE 1006115	REV -