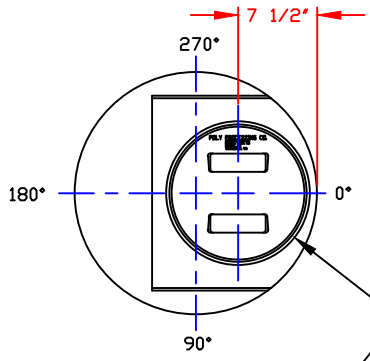
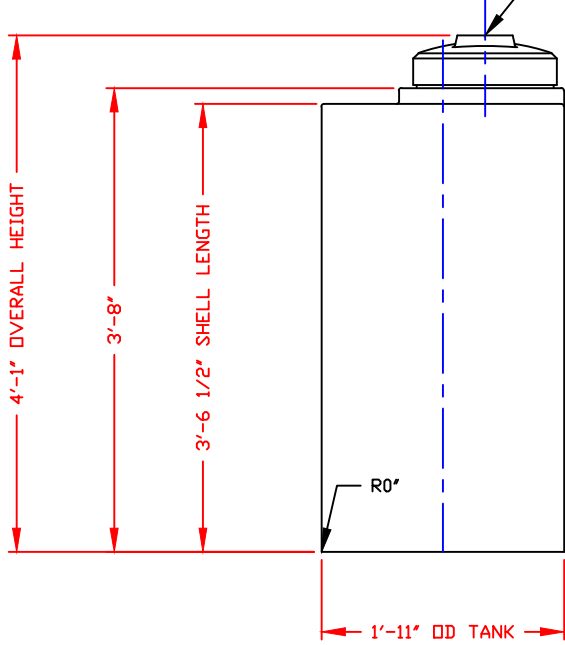


NON-CONTROLLED COPY
 INFORMATION SUBJECT TO CHANGE WITHOUT NOTICE
 VERIFY REV LEVEL OF PAPER COPY WITH REV LEVEL ON PPC WEB SITE



STANDARD COVER:
 12" BUTTRESS THREAD
 CAP/BLACK PE
 STOCK NO. 5167



NOTE: **MUST USE FLEXIBLE CONNECTIONS ALL LOWER SIDEWALL FITTINGS**

NOZZLE SCHEDULE & ACCESSORIES						
SERVICE	MK	STOCK NO.	SIZE	FITTING	DEG	ELEV

NOTES
 1. THIS IS A COMPUTER GENERATED DWG. DO NOT REVISE BY HAND
 2. DIMENSIONS WILL VARY ±3% DUE TO VARIATIONS IN MULTIPLE MOLDS & CONDITIONS PREVALENT DURING MANUFACTURE & USAGE.
 3. NO MOLDED IN GALLONAGE MARKERS THIS TANK.

CALCULATED CAPACITIES/ VOLUME IN U.S. GALLONS	
DESIGN CAP	TOTAL VOL
74	77

CONFIDENTIAL PROPERTY OF
 POLY PROCESSING COMPANY
 NOT FOR REPRINT OR USE
 WITHOUT PERMISSION

DWG TITLE			
70 GALLON UPRIGHT TANK			
SCALE:	1"=1'-0"	Western Region P.O. Box 69 8025 South Ash Street French Camp, CA 95821 (209) 982-9966 FAX (209) 982-9435	DR: MB WILKERSON
DATE:	2/21/00		CK: D. RECTOR
SHEET		COMPUTER FILE	REV
1 OF 1		11000070	A

REV "A" ADDED FITTING NOTE BY:JB 3/19/03 CK:MBW