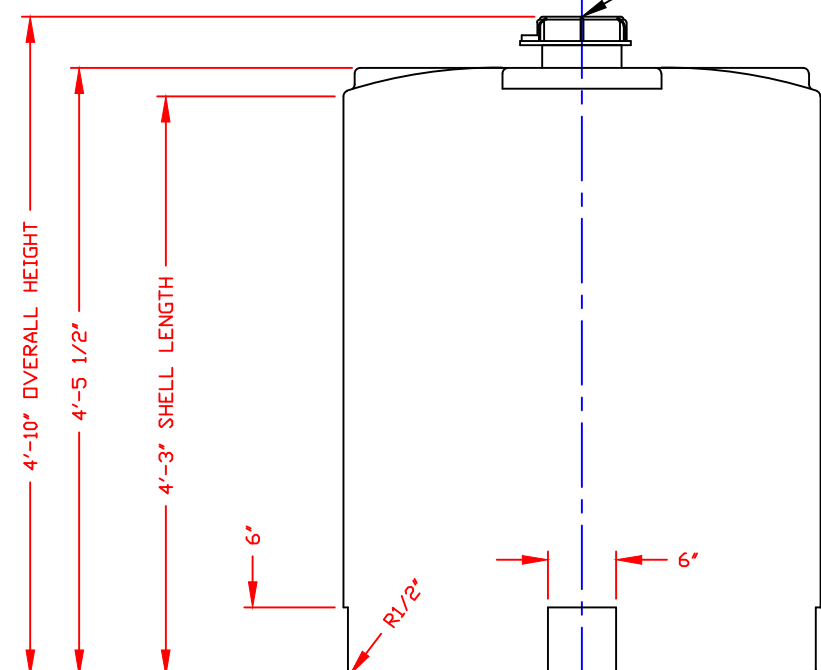
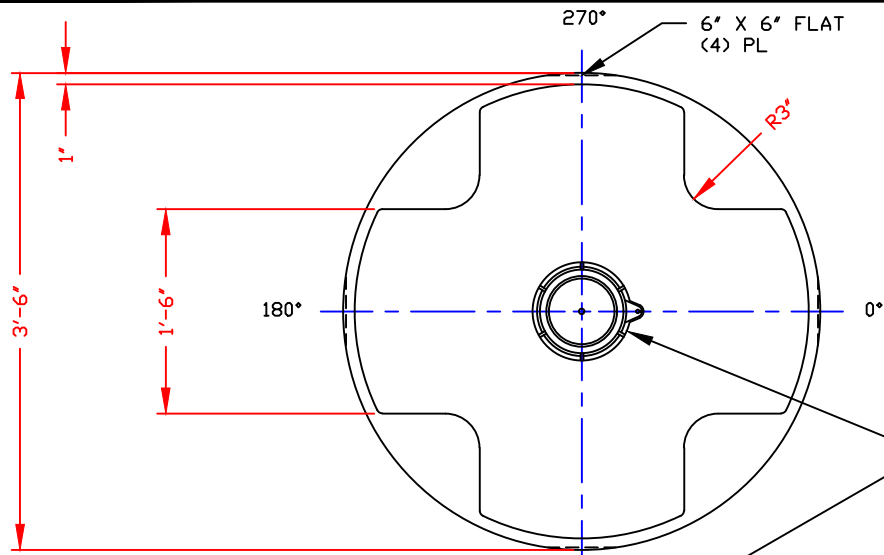


NON-CONTROLLED COPY
 INFORMATION SUBJECT TO CHANGE WITHOUT NOTICE
 VERIFY REV LEVEL OF PAPER COPY WITH REV LEVEL ON PPC WEB SITE



NOTE:
 MUST USE FLEXIBLE CONNECTIONS ALL LOWER SIDEWALL FITTINGS

REV "B" REVISED OVERALL HEIGHT BY:JB 2/19/18
 REV "A" REVISED COVER BY:JB 7/20/09 CK:WM

NOZZLE SCHEDULE & ACCESSORIES						
SERVICE	MK	STOCK NO.	SIZE	FITTING	DEG	ELEV

- NOTES
 1. THIS IS A COMPUTER GENERATED DWG. DO NOT REVISE BY HAND.
 2. DIMENSIONS WILL VARY ±3% DUE TO VARIATIONS IN MULTIPLE MOLDS & CONDITIONS PREVALANT DURING MANUFACTURE & USAGE.
 3. NO MOLDED IN GALLONAGE MARKERS THIS TANK.

CALCULATED CAPACITIES/ VOLUME IN U.S. GALLONS		
DESIGN CAP	DOME VOL	TOTAL VOL
300	6	306

CONFIDENTIAL PROPERTY OF
 POLY PROCESSING COMPANY
 NOT FOR REPRINT OR USE
 WITHOUT PERMISSION

DWG TITLE						
300 GALLON UPRIGHT TANK						
SCALE:	1"=1'-0"			Western Region P.O. Box 98 8055 South Ash Street Fresno, CA 93721 (209) 982-4904 FAX (209) 982-0435		DR: MB WILKERSON
DATE:	4/20/06			POLYPROCESSING SOLUTIONS, SIMPLIFIED.		CK: J. BRANTLEY
SHEET			COMPUTER FILE		REV	
1 OF 1			11000300		B	