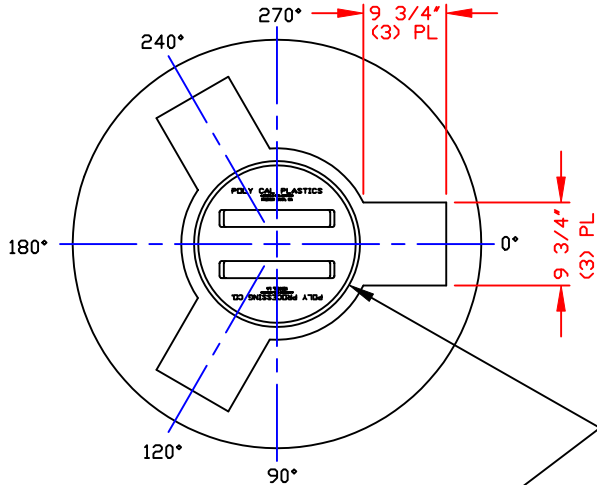


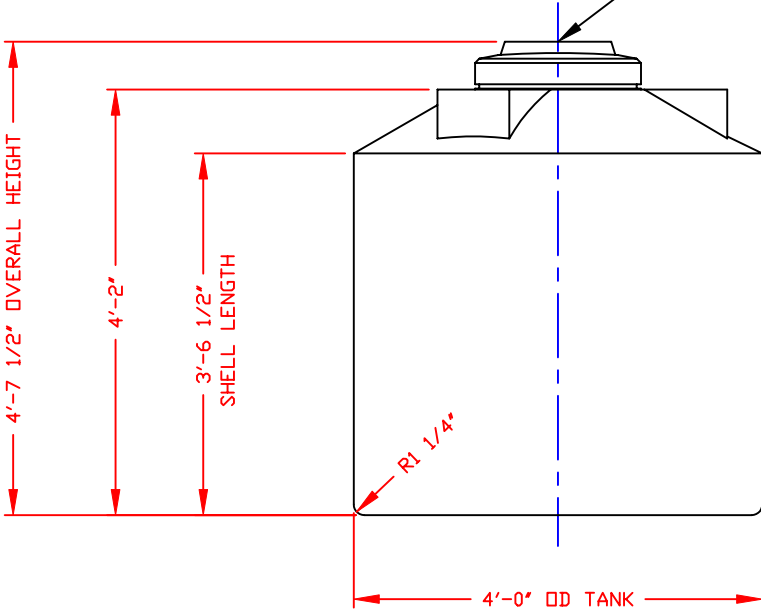
NON-CONTROLLED COPY
 INFORMATION SUBJECT TO CHANGE WITHOUT NOTICE
 COPY WILL NOT BE UPDATED

COPY ISSUED BY _____
 COPY ISSUED ON _____

NOZZLE SCHEDULE & ACCESSORIES					
SERVICE	MK	STOCK NO.	SIZE	FITTING	DEG ELEV



STANDARD COVER:
 17"/BUTTRESS THREAD
 CAP/BLACK PE
 STOCK NO. 4558



NOTE: **MUST USE FLEXIBLE CONNECTIONS ALL LOWER SIDEWALL FITTINGS**

NOTES
 1. THIS IS A COMPUTER GENERATED DWG. DO NOT REVISE BY HAND.
 2. DIMENSIONS WILL VARY ±3% DUE TO VARIATIONS IN MULTIPLE MOLDS & CONDITIONS PREVALENT DURING MANUFACTURE & USAGE.
 3. MOLDED IN GALLONAGE MARKERS @ 0° IN 50 GAL INCREMENTS STARTING @ 50 GAL & ENDING @ 250 GAL. AVOID WHEN PLACING FITTINGS.

CALCULATED CAPACITIES/ VOLUME IN U.S. GALLONS		
DESIGN CAP	DOME VOL	TOTAL VOL
328	35	363

CONFIDENTIAL PROPERTY OF
 POLY PROCESSING COMPANY
 NOT FOR REPRINT OR USE
 WITHOUT PERMISSION

DWG TITLE				325 GALLON UPRIGHT TANK	
SCALE:	3/4"=1'-0"		Western Region	DR:	MB WILKERSON
DATE:	3/25/00		P.O. Box 80 8533 South Ash Street French Camp, CA 95231 (520) 985-4504 FAX (520) 985-5455	CK:	D. RECTOR
			SHEET	COMPUTER FILE	REV
			1 OF 1	11000325	A