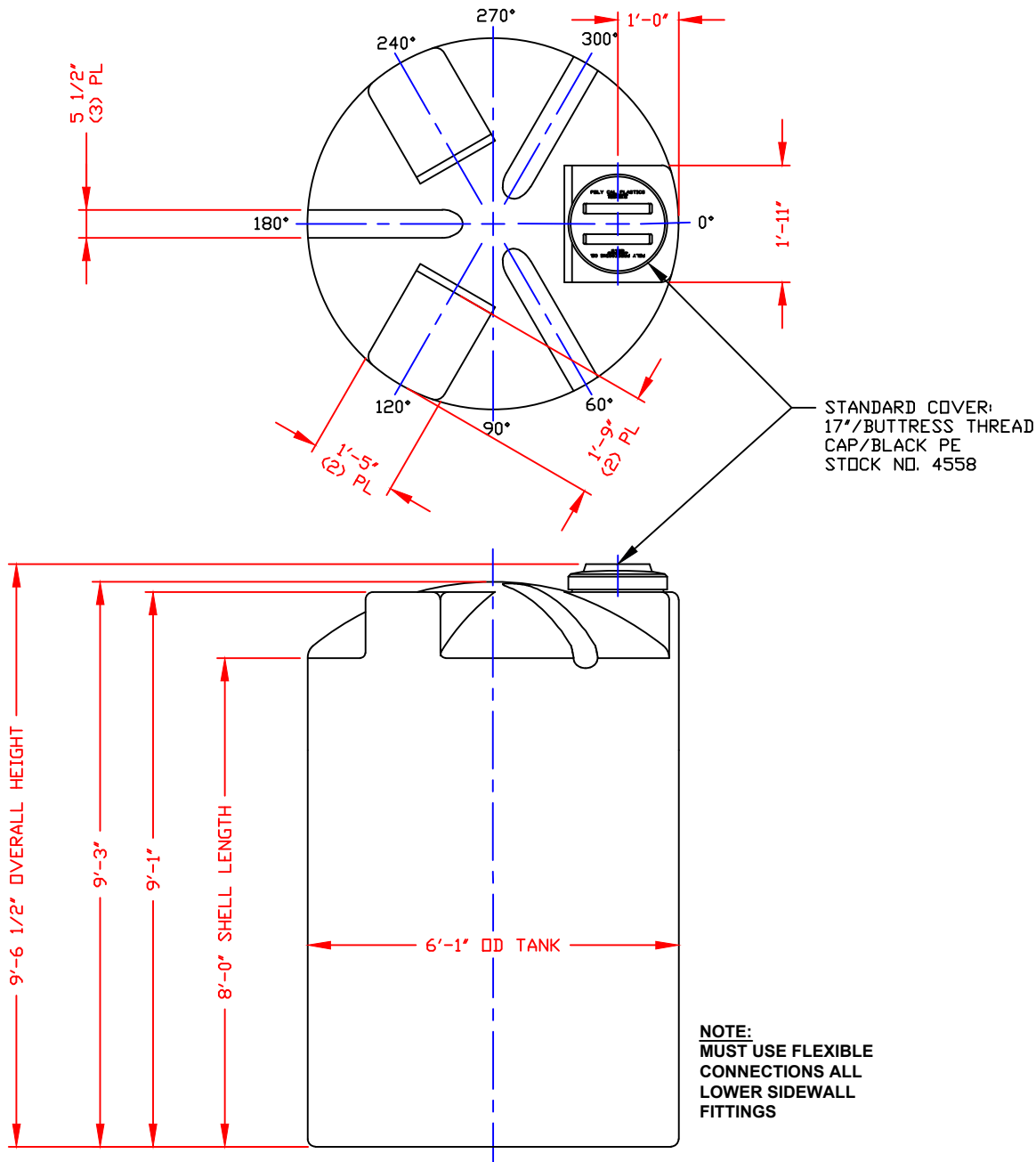


NON-CONTROLLED COPY  
 INFORMATION SUBJECT TO CHANGE WITHOUT NOTICE  
 VERIFY REV LEVEL OF PAPER COPY WITH REV LEVEL ON PPC WEB SITE




STANDARD COVER:  
 1 7/8" BUTTRESS THREAD  
 CAP/BLACK PE  
 STOCK NO. 4558

- NOTES**
1. THIS IS A COMPUTER GENERATED DWG. DO NOT REVISE BY HAND.
  2. DIMENSIONS WILL VARY ±3% DUE TO VARIATIONS IN MULTIPLE MOLDS & CONDITIONS PREVALENT DURING MANUFACTURE & USAGE.
  3. NO MOLDED IN GALLONAGE MARKERS THIS TANK

CALCULATED CAPACITIES/ VOLUME IN U.S. GALLONS		
DESIGN CAP	DOME VOL	TOTAL VOL
1714	157	1871

CONFIDENTIAL PROPERTY OF  
 POLY PROCESSING COMPANY  
 NOT FOR REPRINT OR USE  
 WITHOUT PERMISSION

DWG TITLE		1715 GALLON UPRIGHT TANK		
SCALE:	1/2"=1'-0"	 Western Region P.O. Box 80 9033 South Ash Street French Camp, CA 95231 (209) 268-4944 FAX: (209) 982-6455	DR:	J. BRANTLEY
DATE:	11/8/18		CK:	
		SHEET	COMPUTER FILE	REV
		1 OF 1	11001715	-