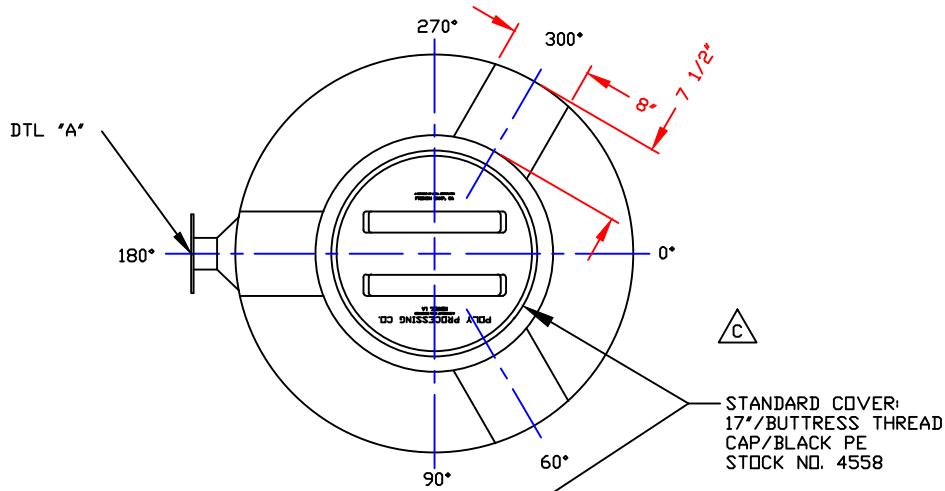
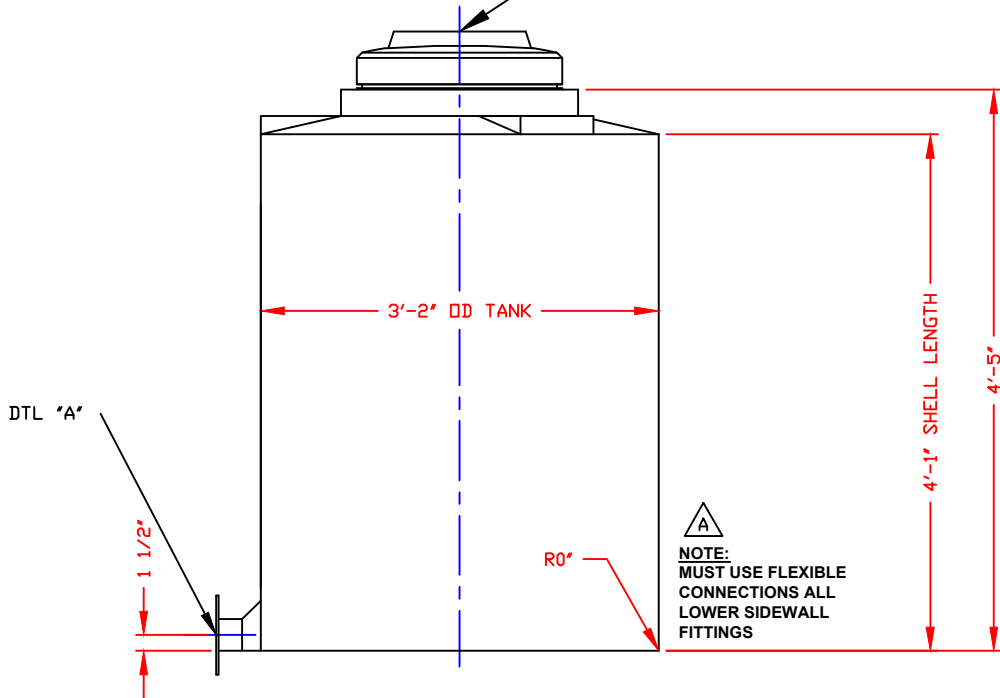
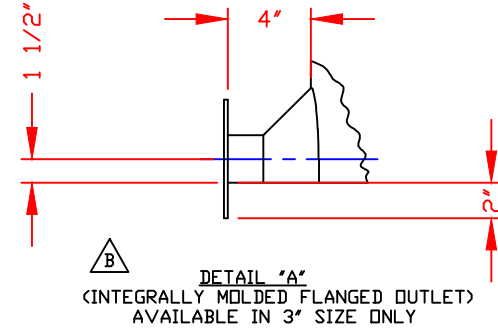


NON-CONTROLLED COPY
 INFORMATION SUBJECT TO CHANGE WITHOUT NOTICE
 VERIFY REV LEVEL OF PAPER COPY WITH REV LEVEL ON PPC WEB SITE

REV 'A' ADDED FITTING NOTE BY:JB 3/3/03 CK:MBW
 REV 'B' CORRECTED INFO BY:MBW 4/12/05 CK:JB
 REV 'C' FLATS ADDED TO TOP BY:MBW 6/27/05 CK:JB
 REV 'D' REMOVED FLATS BY:JB 3/24/09 CK:WM
 REV 'E' ADDED FLATS BY:BT 1/11/13 CK:WM



NOZZLE SCHEDULE & ACCESSORIES						
SERVICE	MK	STOCK NO.	SIZE	FITTING	DEG	ELEV



- NOTES**
1. THIS IS A COMPUTER GENERATED DWG. DO NOT REVISE BY HAND.
 2. DIMENSIONS WILL VARY ±3% DUE TO VARIATIONS IN MULTIPLE MOLDS & CONDITIONS PREVALENT DURING MANUFACTURE & USAGE.
 3. NO MOLDED IN GALLONAGE MARKERS THIS TANK.

CALCULATED CAPACITIES/ VOLUME IN U.S. GALLONS	
DESIGN CAP	TOTAL VOL
233	240

CONFIDENTIAL PROPERTY OF
 PDLY PROCESSING COMPANY
 NOT FOR REPRINT OR USE
 WITHOUT PERMISSION

DWG TITLE			
230 GALLON IMFO TANK			
SCALE:	1"=1'-0"	Western Region P.O. Box 88 9007 South Ash Street French Camp, CA 95231 (209) 982-4344 FAX (209) 982-0485	DR: MB WILKERSON
DATE:	3/6/00		CK: D. RECTOR
SHEET		COMPUTER FILE	REV
1 OF 1		1100230	E