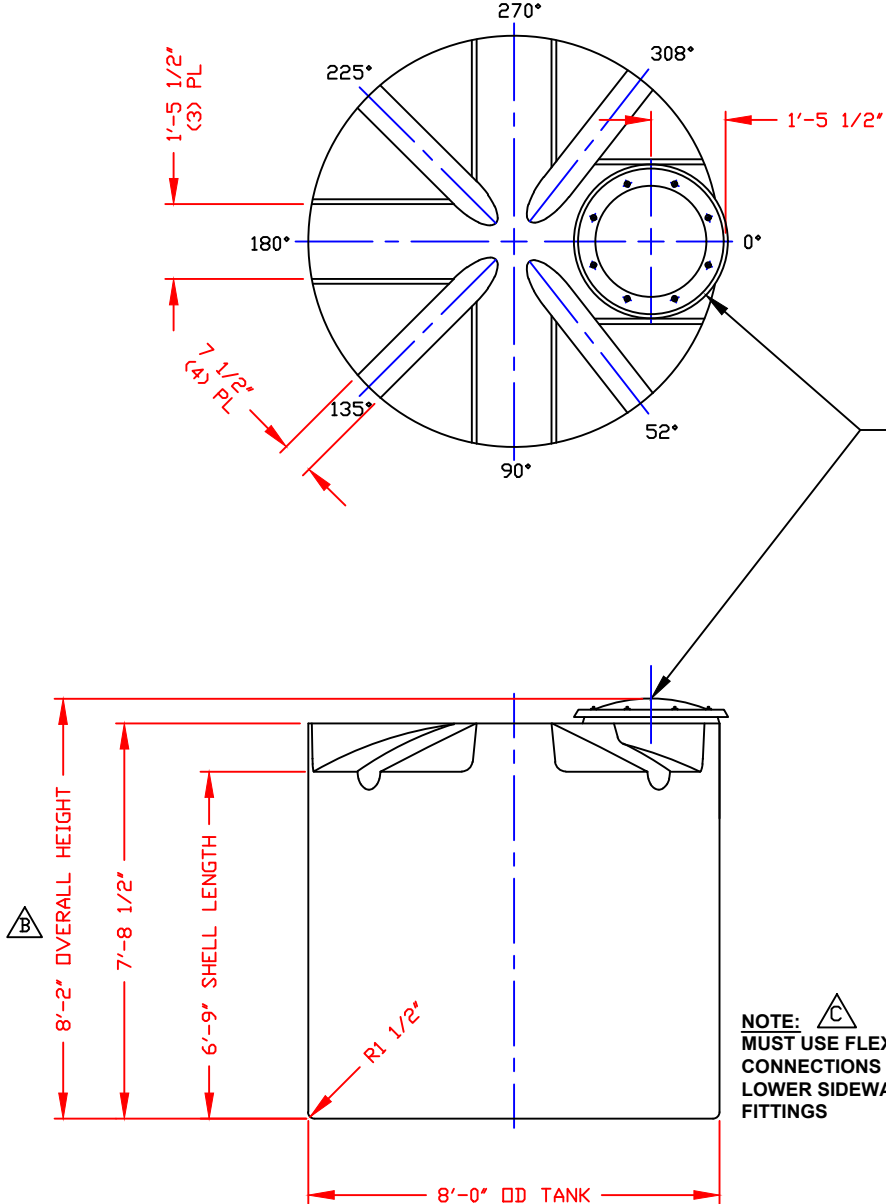


NON-CONTROLLED COPY  
 INFORMATION SUBJECT TO CHANGE WITHOUT NOTICE  
 VERIFY REV LEVEL OF PAPER COPY WITH REV LEVEL ON PPC WEB SITE

NOZZLE SCHEDULE & ACCESSORIES						
SERVICE	MK	STOCK NO.	SIZE	FITTING	DEG	ELEV




STANDARD COVER:  
 24"/(8) BOLT MANWAY COVER/PE (SHOWN)  
 PPC STOCK NO. 3218 OR  
 24"/STRAPPED MANWAY COVER/PE  
 PPC STOCK NO. 3217  
 (OPTIONAL 24" COVERS AVAILABLE)

- NOTES
1. THIS IS A COMPUTER GENERATED DWG. DO NOT REVISE BY HAND.
  2. DIMENSIONS WILL VARY ±3% DUE TO VARIATIONS IN MULTIPLE MOLDS & CONDITIONS PREVALENT DURING MANUFACTURE & USAGE.
  3. NO GALLONAGE MARKERS THIS TANK.

CALCULATED CAPACITIES/ VOLUME IN U.S. GALLONS		
DESIGN CAP	DOME VOL	TOTAL VOL
2504	136	2640

CONFIDENTIAL PROPERTY OF  
 POLY PROCESSING COMPANY  
 NOT FOR REPRINT OR USE  
 WITHOUT PERMISSION

DWG TITLE <b>2500 GALLON UPRIGHT TANK</b>			Western Region P.O. Box 88 8005 South French Camp, CA 95821 C209 988-7504 FAX (209) 988-0455		DR: MB WILKERSON
SCALE: 3/8"=1'-0"			CK: D. RECTOR		
DATE: 3/1/00			SHEET 1 OF 1	COMPUTER FILE 11002500	REV D

REV "D" RELOCATED GUTTERS BY:JB 5/9/18
REV "C" ADDED FITTING NOTE BY:JB 3/19/03 CK:MBW
REV "B" ADDED DIMENSION DR:JB 10/18/02 CK:MBW
REV "A" REVISED TO REFLECT MOLD MODIFICATION DR:MBW 9/21/00 CK:JB