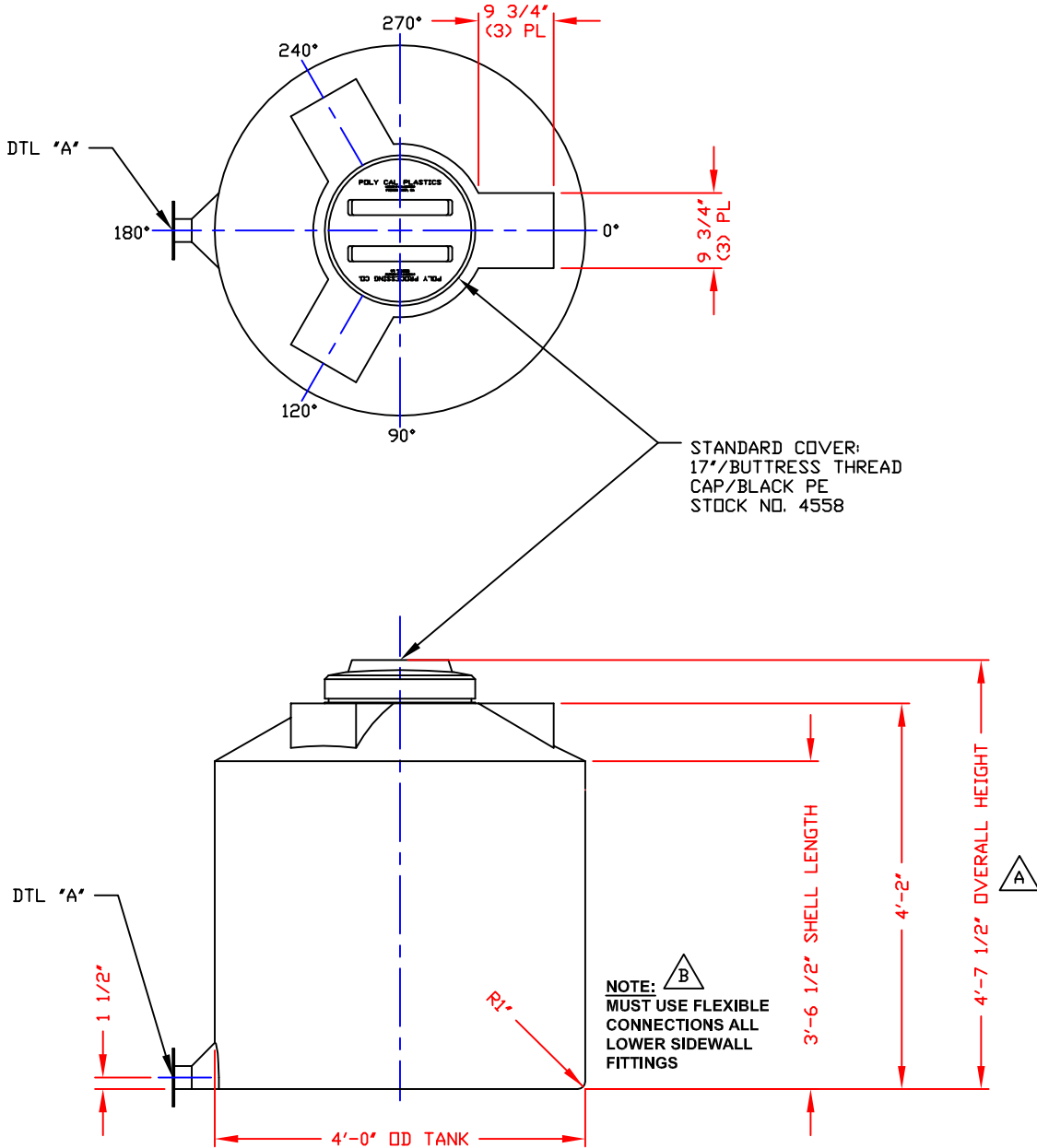
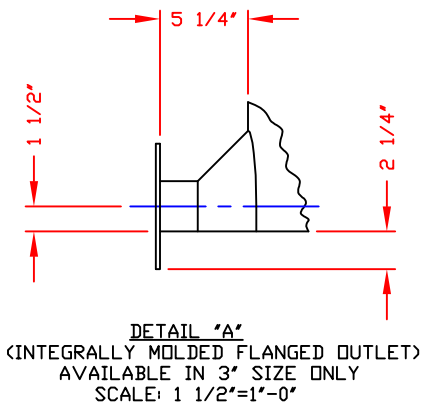


NON-CONTROLLED COPY  
 INFORMATION SUBJECT TO CHANGE WITHOUT NOTICE  
 VERIFY REV LEVEL OF PAPER COPY WITH REV LEVEL ON PPC WEB SITE




NOZZLE SCHEDULE & ACCESSORIES						
SERVICE	MK	STOCK NO.	SIZE	FITTING	DEG	ELEV



- NOTES
1. THIS IS A COMPUTER GENERATED DWG. DO NOT REVISE BY HAND.
  2. DIMENSIONS WILL VARY ±3% DUE TO VARIATIONS IN MULTIPLE MOLDS & CONDITIONS PREVALENT DURING MANUFACTURE & USAGE.
  3. MOLDED IN GALLONAGE MARKERS @ 0° IN 50 GAL INCREMENTS STARTING @ 50 GAL UP TO 250 GAL. AVOID WHEN PLACING FITTINGS.

CALCULATED CAPACITIES/ VOLUME IN U.S. GALLONS		
DESIGN CAP	DOME VOL	TOTAL VOL
328	35	363

CONFIDENTIAL PROPERTY OF  
 POLY PROCESSING COMPANY  
 NOT FOR REPRINT OR USE  
 WITHOUT PERMISSION

DWG TITLE			325 GALLON IMFO TANK		
SCALE:	3/4"=1'-0"	 Western Region P.O. Box 88 8055 South Ash Street French Camp, CA 95231 (530) 962-4904 FAX (530) 962-0435	DR:	MB WILKERSON	
DATE:	3/6/00		CK:	D. RECTOR	
SHEET			COMPUTER FILE		REV
1 OF 1			1100325		B

REV "B" ADDED FITTING NOTE BY:JB 2/27/03 CK:MBW  
 REV "A" ADDED DIMENSION BY:JB 10/7/02 CK:MBW

B-29