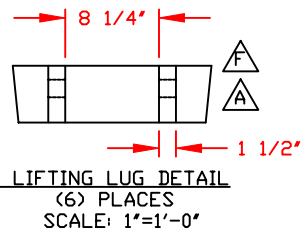
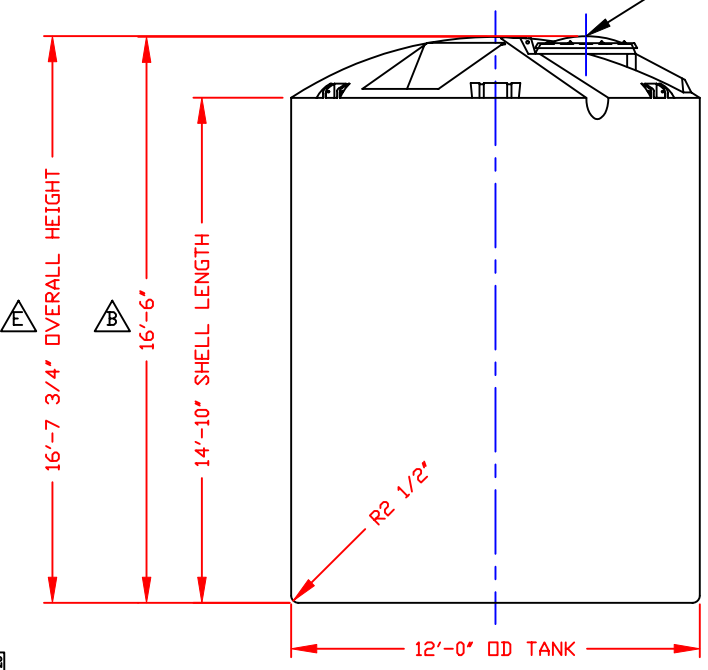
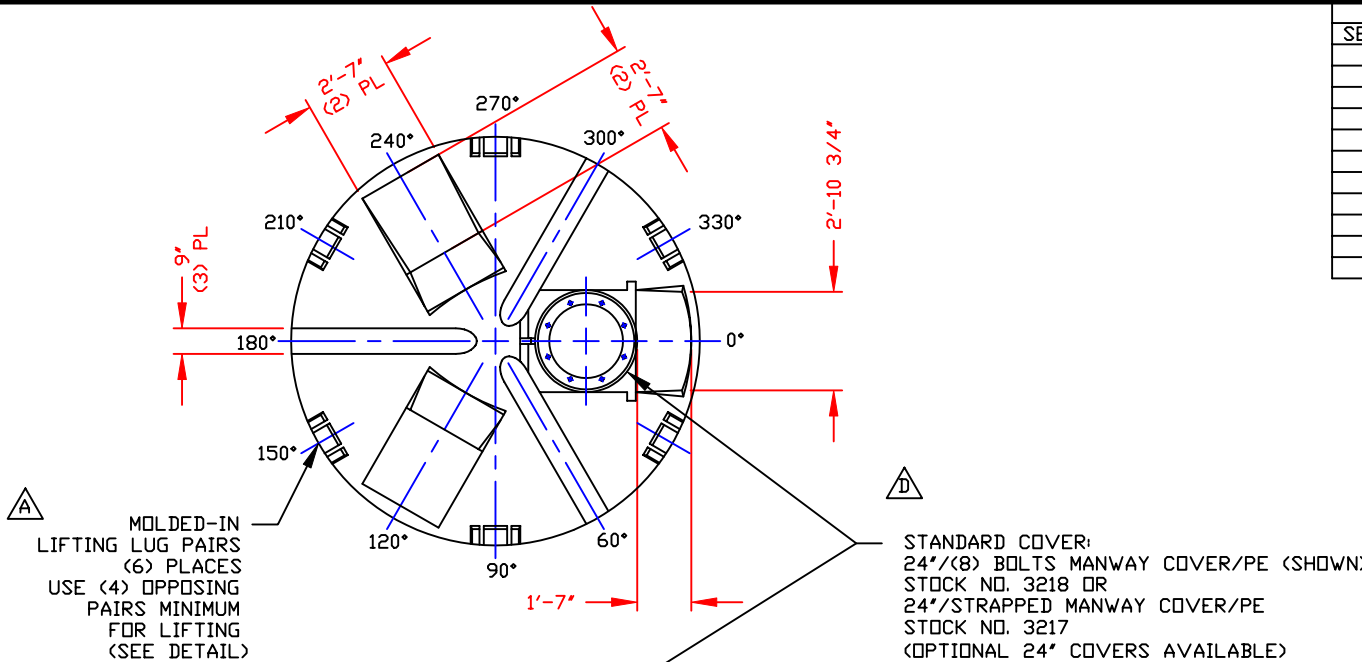


NON-CONTROLLED COPY
 INFORMATION SUBJECT TO CHANGE WITHOUT NOTICE
 COPY WILL NOT BE UPDATED

COPY ISSUED BY _____
 COPY ISSUED ON _____

NOZZLE SCHEDULE & ACCESSORIES					
SERVICE	MK	STOCK NO.	SIZE	FITTING	DEG ELEV



NOTE: MUST USE FLEXIBLE CONNECTIONS ALL LOWER SIDEWALL FITTINGS

REV 'G'	ADDED FITTING NOTE BY:JB 2/13/03 CK:MBW
REV 'F'	REVISED LIFTING LUG DETAIL BY:JB 1/14/03 CK:WM
REV 'E'	ADDED DIMENSION BY:JB 10/22/02 CK:MBW
REV 'D'	REVISED DOME & MWY CONFIGURATION BY:MBW 8/28/02 CK:JB
REV 'C'	REVISED CALCULATED CAPACITY BY:JB 4/1/02 CK:MBW
REV 'B'	DID SAY 16'-7 1/2" BY:JB 4/1/02 CK:MBW
REV 'A'	ADDED LIFTING LUGS & DETAIL BY:JB 4/1/02 CK:MBW

NOTES

- THIS IS A COMPUTER GENERATED DWG. DO NOT REVISE BY HAND.
- DIMENSIONS WILL VARY ±3% DUE TO VARIATIONS IN MULTIPLE MOLDS & CONDITIONS PREVALENT DURING MANUFACTURE & USAGE.
- NO MOLDED IN GALLONAGE MARKERS THIS TANK.

CALCULATED CAPACITIES / VOLUME IN U.S. GALLONS		
DESIGN CAP	DOME VOL	TOTAL VOL
12189	640	12829

CONFIDENTIAL PROPERTY OF POLY PROCESSING COMPANY
 NOT FOR REPRINT OR USE WITHOUT PERMISSION

DWG TITLE	12150 GALLON UPRIGHT TANK		
SCALE:	1/4"=1'-0"	 POLY PROCESSING Company	Western Region <small>P.O. Box 80 8833 South Ash Street French Camp, CA 95824 (530) 985-4364 FAX (530) 985-5455</small>
DATE:	3/4/00		DR: MB WILKERSON CK: D. RECTOR
SHEET		COMPUTER FILE	REV
1 OF 1		11012150	G