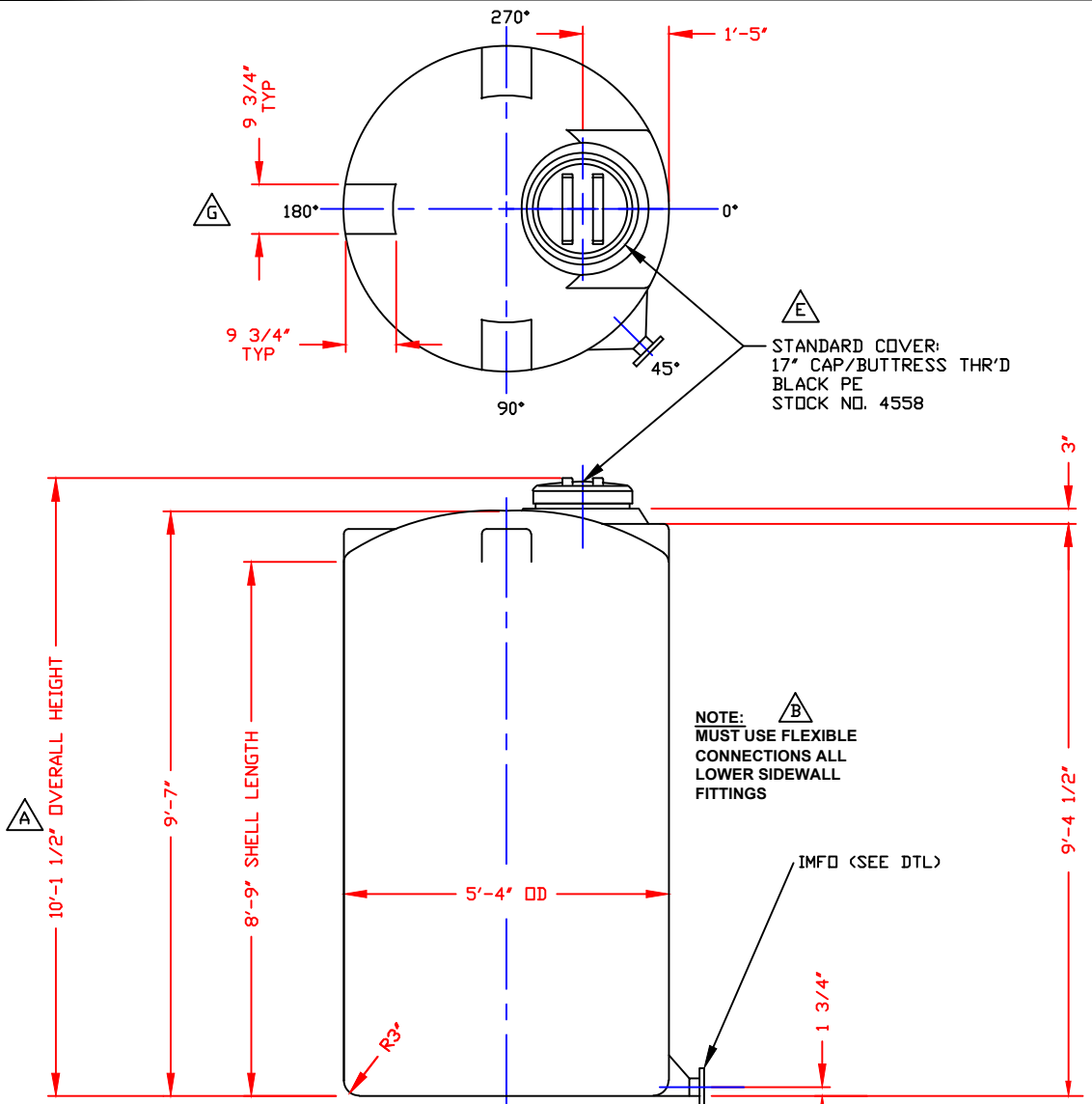
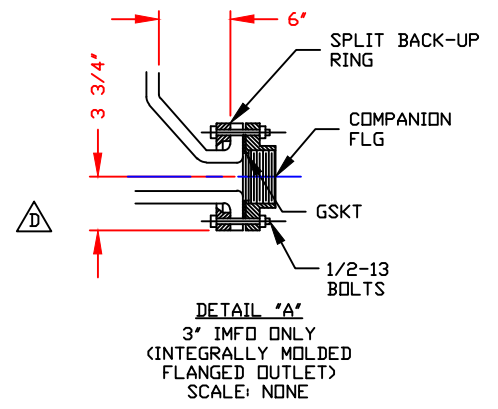


NON-CONTROLLED COPY
 INFORMATION SUBJECT TO CHANGE WITHOUT NOTICE
 VERIFY REV LEVEL OF PAPER COPY WITH REV LEVEL ON PPC WEB SITE



NOZZLE SCHEDULE & ACCESSORIES						
SERVICE	MK	STOCK NO.	SIZE	FITTING	DEG	ELEV



NOTES
 1. THIS IS A COMPUTER GENERATED DWG. DO NOT REVISE BY HAND.
 2. DIMENSIONS WILL VARY ±3% DUE TO VARIATIONS IN MULTIPLE MOLDS & CONDITIONS PREVALENT DURING MANUFACTURE & USAGE.
 3. MOLDED IN GALLONAGE MARKERS @ 0° IN 100 GAL INCREMENTS UP TO 1400 GAL.

CALCULATED CAPACITIES/ VOLUME IN U.S. GALLONS		
DESIGN CAP	DOME VOL	TOTAL VOL
1438	61	1499

CONFIDENTIAL PROPERTY OF
 PDLY PROCESSING COMPANY
 NOT FOR REPRINT OR USE
 WITHOUT PERMISSION

DWG TITLE 1400 GALLON IMFO TANK			
SCALE: 1/2"=1'-0"		Central Region P.O. Box 4180 • FRENCH 2838 Old Shreveport Rd. Bossier City, LA 70605 CEN 343-7825 FAX 336-343-9795	DR: MB WILKERSON
DATE: 11/9/99		POLYPROCESSING SOLUTIONS, SIMPLIFIED	CK: D. RECTOR
SHEET 1 OF 1		COMPUTER FILE 1101400	REV G

REV "G" ADDED FTG FLAT TO DOME BY:JB 12/4/12 CK:WM	REV "C" REVISED LID BY:MBW 3/3/03 CK:JB
REV "F" REVISED MANWAY CONFIGURATION BY:JB 1/6/11 CK:WM	REV "B" ADDED FITTING NOTE BY:MBW 3/3/03 CK:JB
REV "E" REVISED COVER BY:JB 7/26/09 CK:MW	REV "A" ADDED DIMENSION BY:JB 10/16/02 CK:MBW
REV "D" CORRECTED IMFO DETAIL BY:MBW 2/14/06 CK:JB	