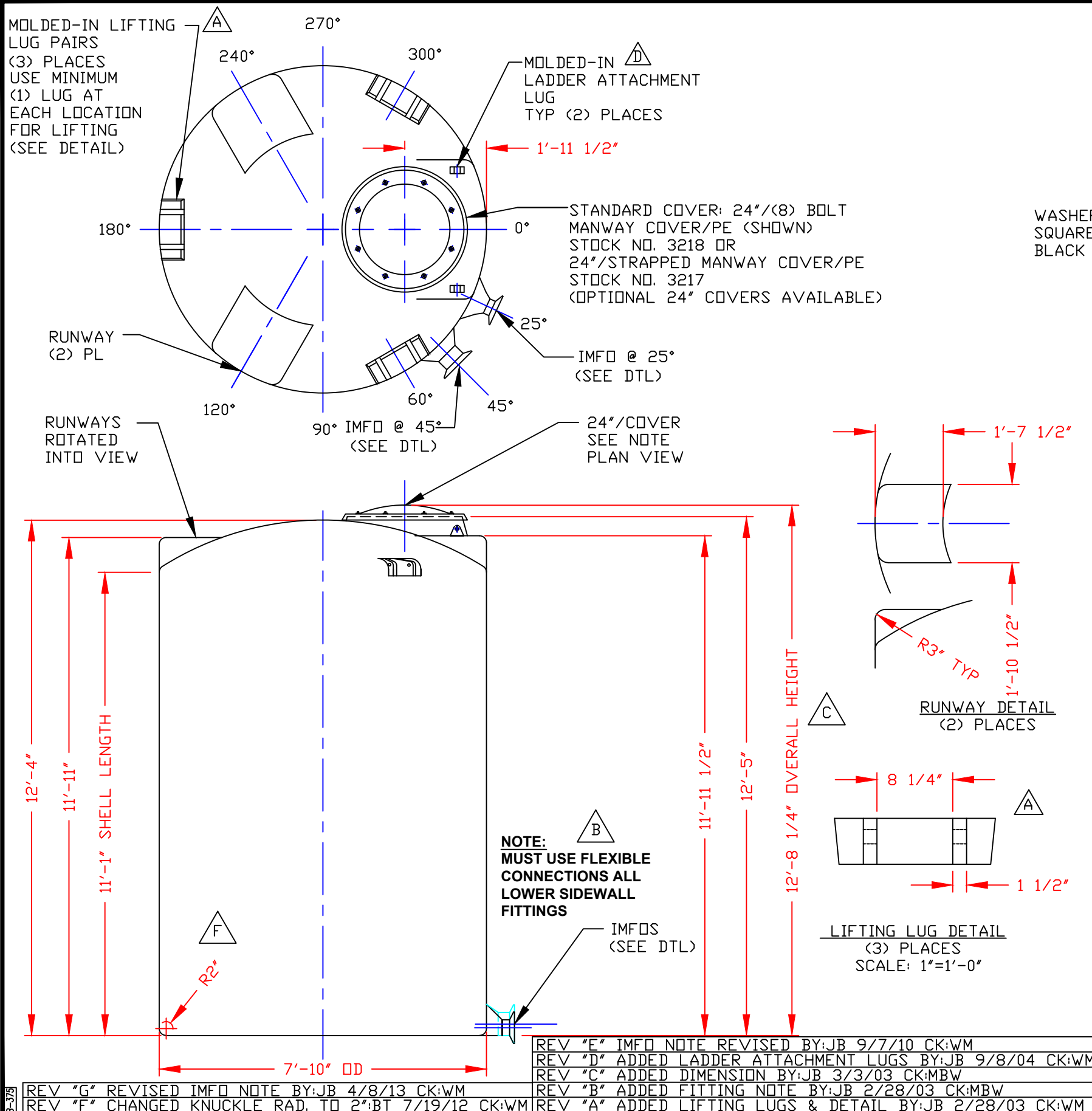
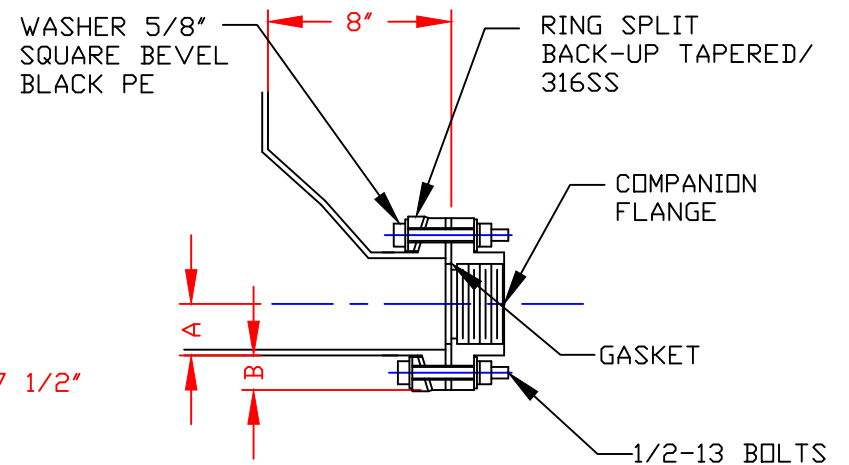


NON-CONTROLLED COPY
 INFORMATION SUBJECT TO CHANGE WITHOUT NOTICE
 VERIFY REV LEVEL OF PAPER COPY WITH REV LEVEL ON PPC WEB SITE



NOZZLE SCHEDULE & ACCESSORIES

SERVICE	MK	STOCK NO.	SIZE	FITTING	DEG	ELEV



DIMENSION CHART

PIPE SIZE	A	B
4"	2 1/4"	2 1/4"
6"	3 5/16"	2 3/16"

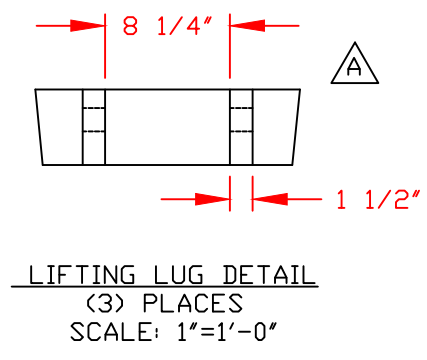
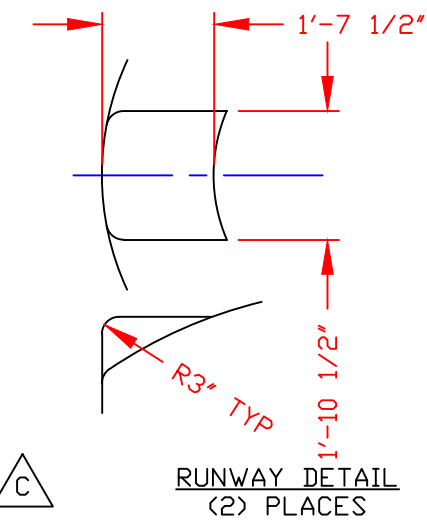
NOTE: (2) IMFO NOZZLES MAY BE MOLDED IN TANK
 (1) @ 25° & (1) @ 45°
 4" IS STANDARD ON BOTH
 (1) 6" IS AVAILABLE @ EITHER LOCATION, BUT ONLY (1)
 EITHER OR BOTH MAY BE BLOCKED OFF

NOTES:
 1. THIS IS A COMPUTER GENERATED DRAWING. DO NOT REVISE BY HAND
 2. DIMENSIONS WILL VARY ±3% DUE TO VARIATIONS IN MULTIPLE MOLDS AND CONDITIONS PREVELANT DURING MANUFACTURE AND USAGE.
 3. MOLDED IN GALLONAGE MARKERS IN 200 GAL INCREMENTS UP TO 4000 GAL IN MANWAY AREA.

**CALCULATED CAPACITIES/
 VOLUME IN U.S. GALLONS**

DESIGN CAP	DOME VOL	TOTAL VOL
3909	192	4101

CONFIDENTIAL PROPERTY OF
 POLY PROCESSING COMPANY
 NOT FOR REPRINT OR USE
 WITHOUT PERMISSION



REV "E" IMFO NOTE REVISED BY:JB 9/7/10 CK:WM
 REV "D" ADDED LADDER ATTACHMENT LUGS BY:JB 9/8/04 CK:WM
 REV "C" ADDED DIMENSION BY:JB 3/3/03 CK:MBW
 REV "B" ADDED FITTING NOTE BY:JB 2/28/03 CK:MBW
 REV "A" ADDED LIFTING LUGS & DETAIL BY:JB 2/28/03 CK:WM
 REV "G" REVISED IMFO NOTE BY:JB 4/8/13 CK:WM
 REV "F" CHANGED KNUCKLE RAD. TO 2" BT 7/19/12 CK:WM

DWG TITLE: 3900 GALLON DOUBLE IMFO TANK

SCALE: 3/8"=1'-0"

DATE: 11/10/99

POLYPROCESSING SOLUTIONS, SIMPLIFIED.

Central Region
 P.O. Box 4150 (71211)
 2201 Old Sterlington Rd.
 Monroe, LA 71203
 (318) 343-7565
 FAX (318) 343-8795

DR: MB WILKERSON
 CK: D. RECTOR

SHEET: 1 OF 1
 COMPUTER FILE: 1103900
 REV: G