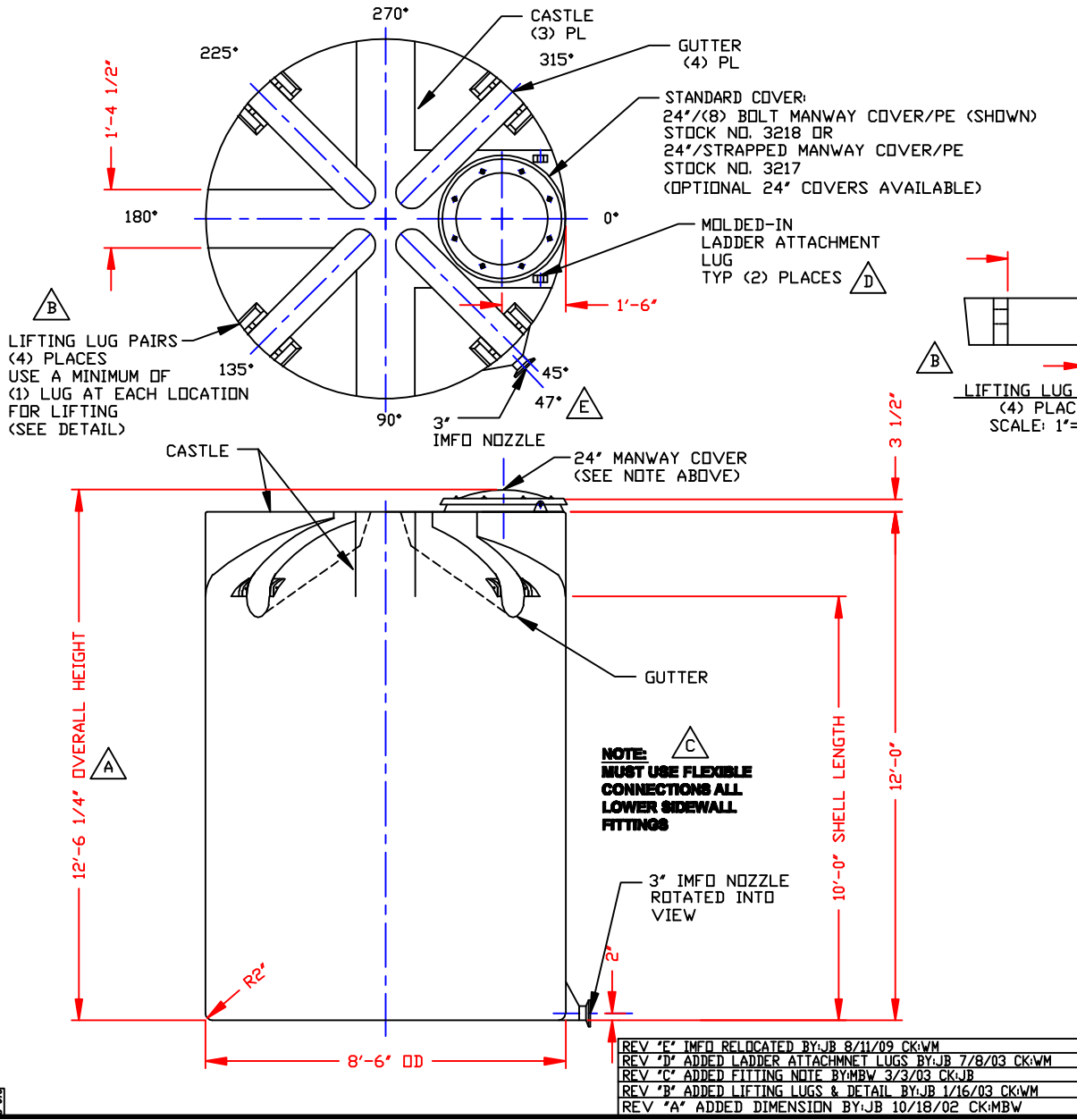
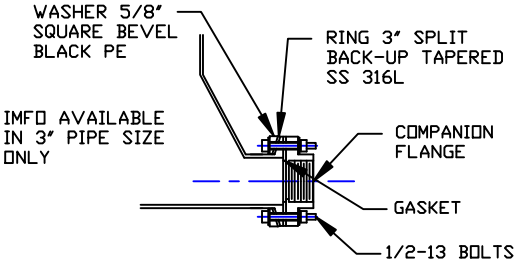
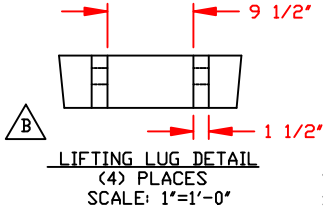


NON-CONTROLLED COPY
 INFORMATION SUBJECT TO CHANGE WITHOUT NOTICE
 VERIFY REV LEVEL OF PAPER COPY WITH REV LEVEL ON PPC WEB SITE



NOZZLE SCHEDULE & ACCESSORIES					
SERVICE	MK	STOCK NO.	SIZE	FITTING	DEG ELEV



NOTES
 1. THIS IS A COMPUTER GENERATED DWG. DO NOT REVISE BY HAND.
 2. DIMENSIONS WILL VARY ±3% DUE TO VARIATIONS IN MULTIPLE MOLDS & CONDITIONS PREVALENT DURING MANUFACTURE & USAGE.
 3. NO MOLDED IN GALLONAGE MARKERS THIS TANK.

CALCULATED CAPACITIES/ VOLUME IN U.S. GALLONS		
DESIGN CAP	DOME VOL	TOTAL VOL
4162	245	4407

CONFIDENTIAL PROPERTY OF
 POLY PROCESSING COMPANY
 NOT FOR REPRINT OR USE
 WITHOUT PERMISSION

DWG TITLE		4150 GALLON IMFO TANK	
SCALE: 3/8"=1'-0"		<small>Central Region P.O. Box 4150 #125D 2281 Old Washington Rd. Norcross, GA 30071 (770) 343-7825 FAX (770) 343-9795</small>	DR: MB WILKERSON
DATE: 11/10/99		CK: D. RECTOR	
SHEET		COMPUTER FILE	REV
1 OF 1		1104150	E

REV "E" IMFO RELOCATED BY:JB 8/11/09 CK:WM
REV "D" ADDED LADDER ATTACHMENT LUGS BY:JB 7/8/03 CK:WM
REV "C" ADDED FITTING NOTE BY:MBW 3/3/03 CK:JB
REV "B" ADDED LIFTING LUGS & DETAIL BY:JB 1/16/03 CK:WM
REV "A" ADDED DIMENSION BY:JB 10/18/02 CK:MBW