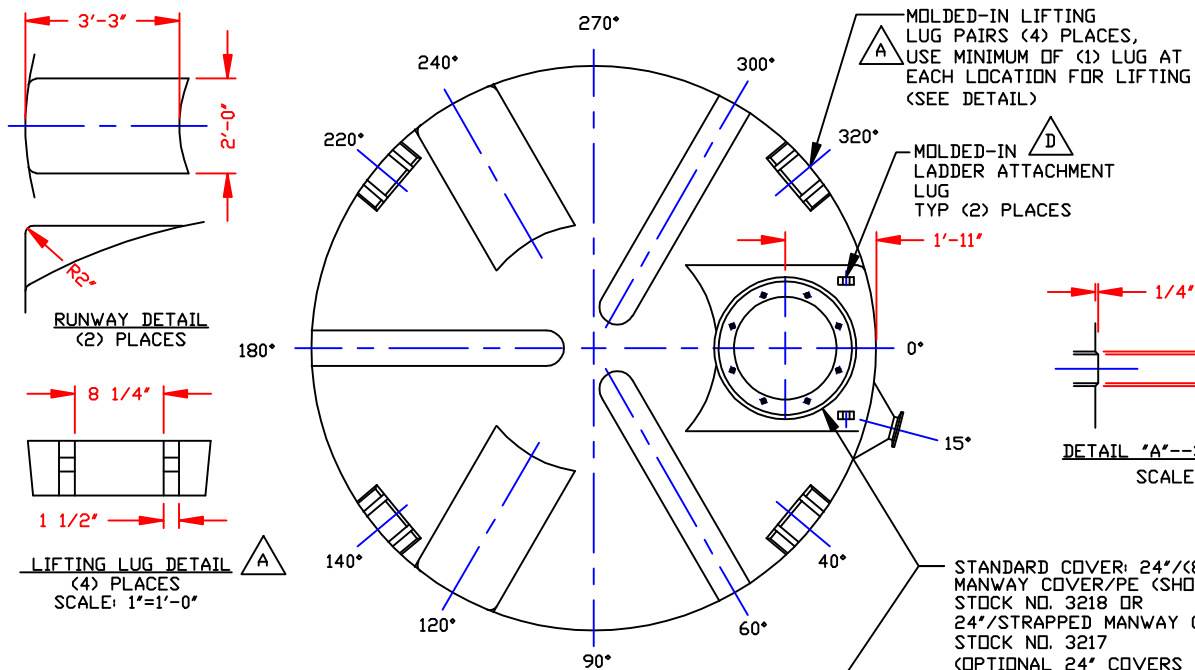
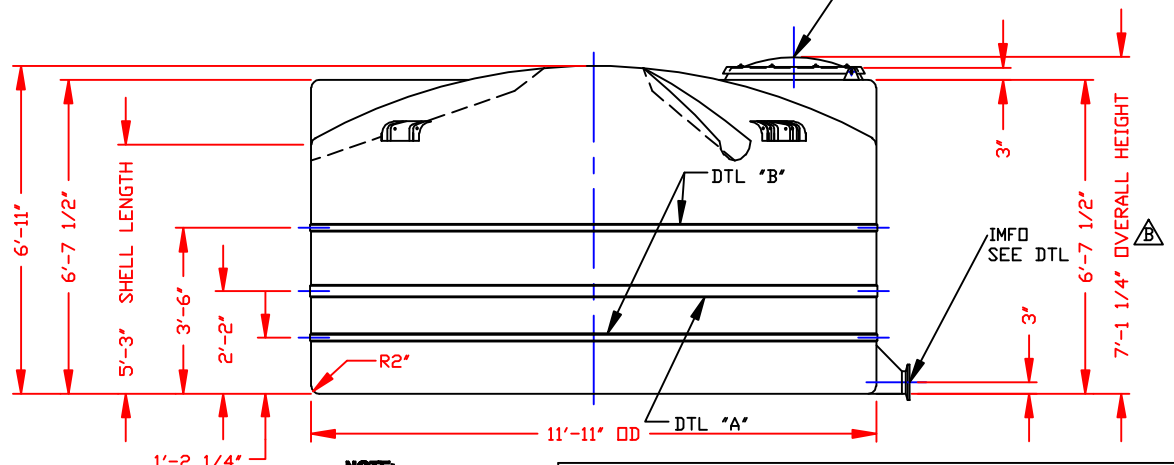
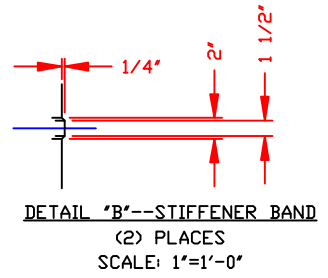
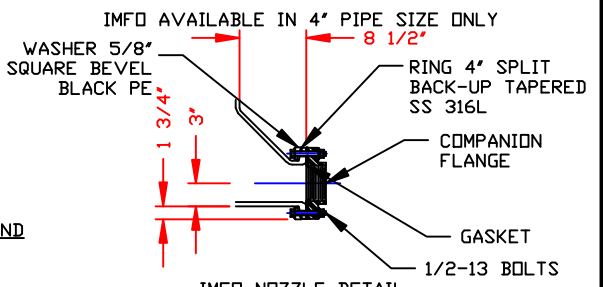
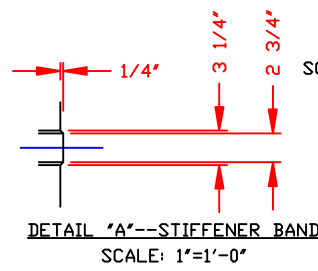


NON-CONTROLLED COPY
 INFORMATION SUBJECT TO CHANGE WITHOUT NOTICE
 VERIFY REV LEVEL OF PAPER COPY WITH REV LEVEL ON PPC WEB SITE



NOZZLE SCHEDULE & ACCESSORIES						
SERVICE	MK	STOCK NO.	SIZE	FITTING	DEG	ELEV



STANDARD COVER: 24"/(8) BOLT
 MANWAY COVER/PE (SHOWN)
 STOCK NO. 3218 OR
 24"/STRAPPED MANWAY COVER/PE
 STOCK NO. 3217
 (OPTIONAL 24" COVERS AVAILABLE)

- NOTES**
- THIS IS A COMPUTER GENERATED DWG. DO NOT REVISE BY HAND.
 - DIMENSIONS WILL VARY ±3% DUE TO VARIATIONS IN MULTIPLE MOLDS & CONDITIONS PREVALENT DURING MANUFACTURE & USAGE.
 - NO MOLDED IN GALLONAGE MARKERS THIS TANK.

CALCULATED CAPACITIES/ VOLUME IN U.S. GALLONS		
DESIGN CAP	DOME VOL	TOTAL VOL
4322	675	4997

CONFIDENTIAL PROPERTY OF
 PDLY PROCESSING COMPANY
 NOT FOR REPRINT OR USE
 WITHOUT PERMISSION

NOTE:
 MUST USE FLEXIBLE
 CONNECTIONS ALL
 LOWER SIDEWALL
 FITTINGS

REV "E" DOME CONFIGURATION REVISED BY:JB 7/29/10 CK:WM
REV "D" ADDED LADDER ATTACHMENT LUGS BY:JB 5/14/04 CK:WM
REV "C" ADDED FITTING NOTE BY:MBW 3/3/03 CK:JB
REV "B" ADDED DIMENSION BY:JB 10/18/02 CK:MBW
REV "A" ADDED LIFTING LUGS & DETAIL BY:JB 9/24/02 CK:WM

DWG TITLE		4300 GALLON IMFO TANK		
SCALE:	3/8"=1'-0"	 Central Region P.O. Box 4300 Wrentham 2500 Old Washington Rd. Wrentham, MA 01995 (508) 543-7500 FAX (508) 543-9795	DR: MB WILKERSON	
DATE:	11/10/99		CK: D. RECTOR	
SHEET		COMPUTER FILE	REV	
1 OF 1		1104300	E	