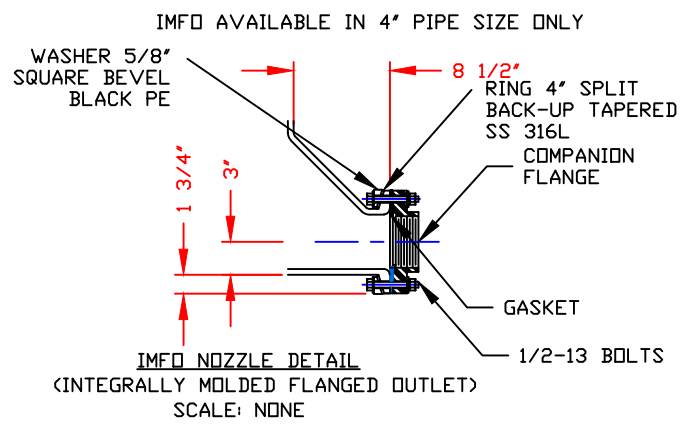
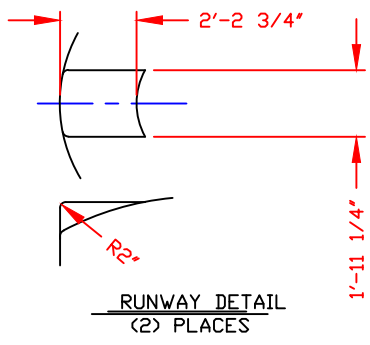
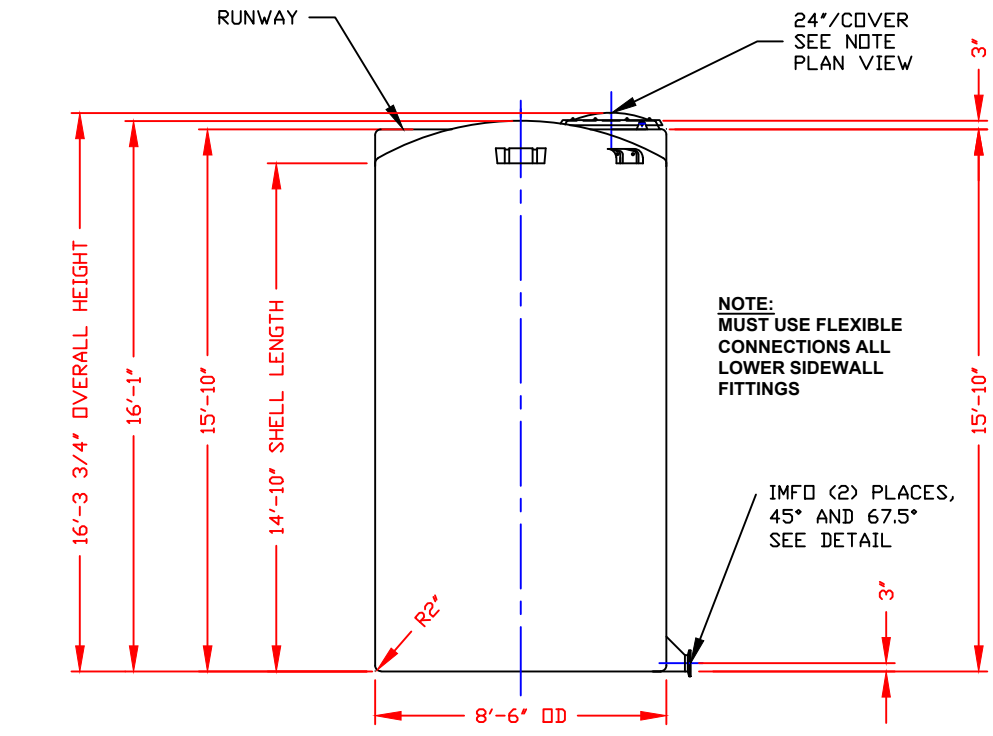
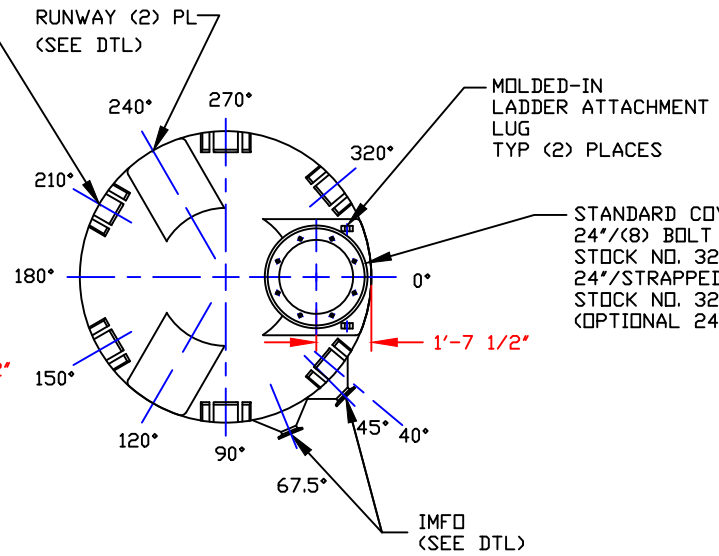
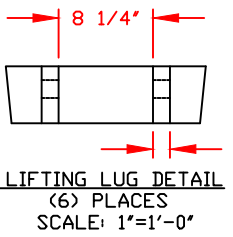


MOLDED-IN LIFTING LUG PAIRS (6) PLACES USE MINIMUM OF (3) LUG PAIRS @ ALTERNATING LOCATIONS FOR LIFTING (SEE DETAIL)



NOTES:  
 1. THIS IS A COMPUTER GENERATED DWG. DO NOT REVISE BY HAND.  
 2. DIMENSIONS WILL VARY ±3% DUE TO VARIATIONS IN MULTIPLE MOLDS & CONDITIONS PREVALENT DURING MANUFACTURE & USAGE.  
 3. MOLDED IN GALLONAGE MARKERS @ 15° UP TO 5800 GALLONS.

DWG TITLE		6115 GALLON DOUBLE IMFO TANK								
SCALE:	1/4"=1'-0"		Central Region P.O. Box 4159 (71611) 2801 Old Springston Rd. Morgan, LA 71253 CIB: 343-7563 FAX (504) 343-8795	DR: J. BRANTLEY						
DATE:	10/18/18		CK:							
<table border="1"> <thead> <tr> <th>DESIGN CAP</th> <th>DOME VOL</th> <th>TOTAL VOL</th> </tr> </thead> <tbody> <tr> <td>6115</td> <td>235</td> <td>6350</td> </tr> </tbody> </table>		DESIGN CAP	DOME VOL	TOTAL VOL	6115	235	6350	SHEET	COMPUTER FILE	REV
DESIGN CAP	DOME VOL	TOTAL VOL								
6115	235	6350								
		1 OF 1	1106115	-						