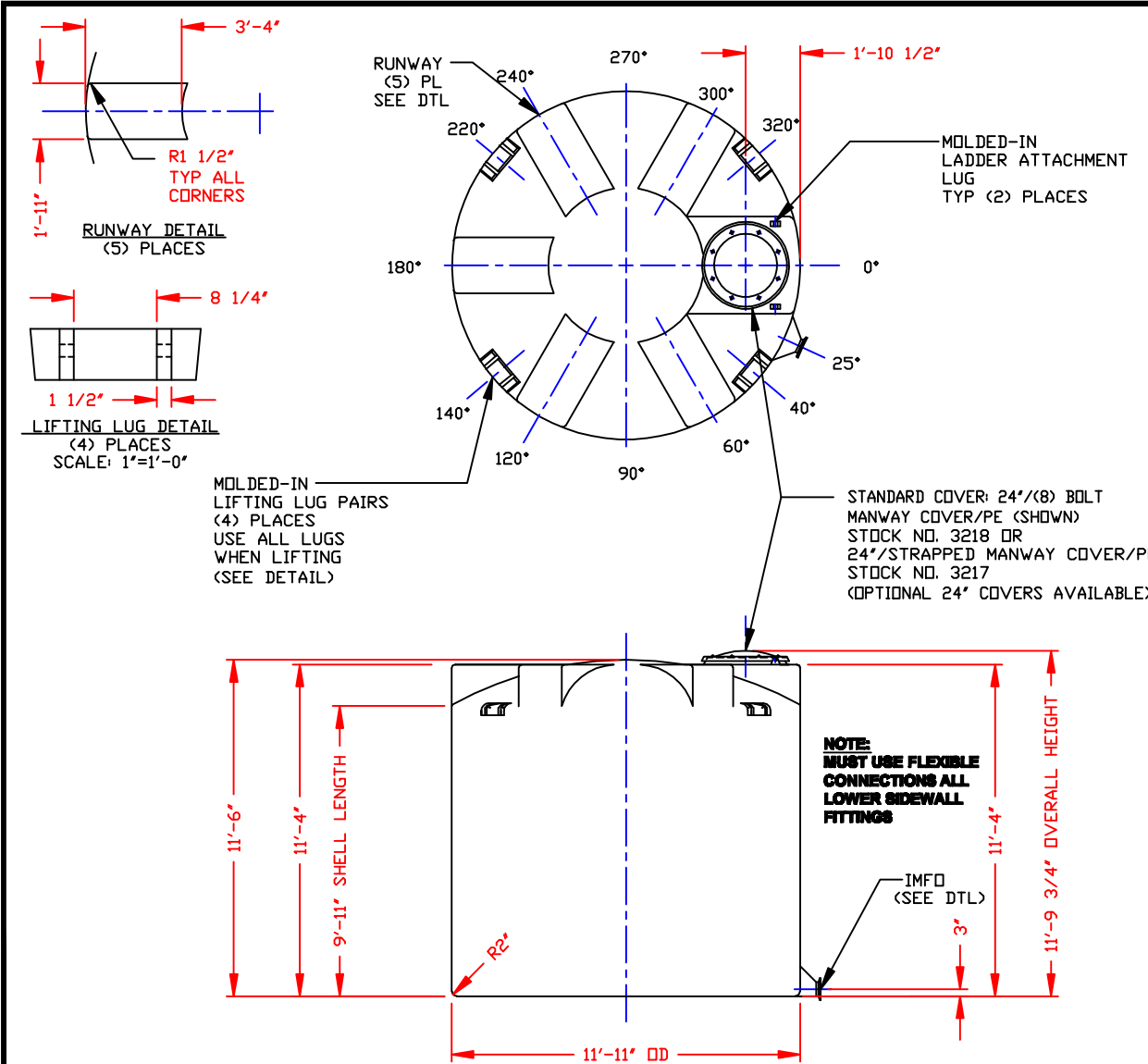
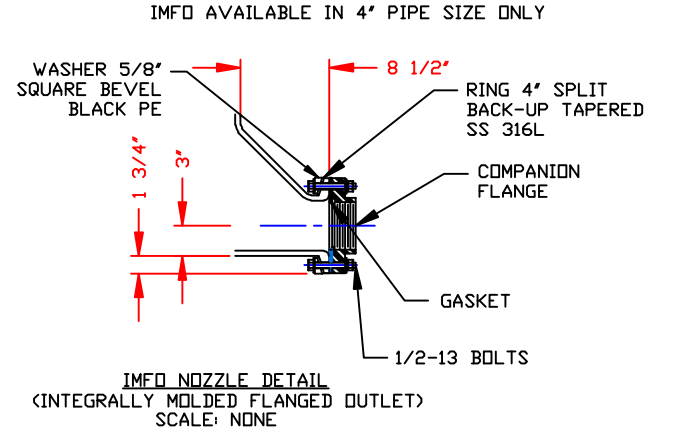


NON-CONTROLLED COPY  
 INFORMATION SUBJECT TO CHANGE WITHOUT NOTICE  
 VERIFY REV LEVEL OF PAPER COPY WITH REV LEVEL ON PPC WEB SITE



NOZZLE SCHEDULE & ACCESSORIES

SERVICE	MK	STOCK NO.	SIZE	FITTING	DEG	ELEV



- NOTES:  
 1. THIS IS A COMPUTER GENERATED DWG. DO NOT REVISE BY HAND.  
 2. DIMENSIONS WILL VARY ±3% DUE TO VARIATIONS IN MULTIPLE MOLDS & CONDITIONS PREVALENT DURING MANUFACTURE & USAGE.  
 3. 5 1/2" WIDE MOLDED IN GALLONAGE MARKERS @ APPROX 19" UP TO 8100 GAL

CALCULATED CAPACITIES/VOLUME IN U.S. GALLONS		
DESIGN CAP	DOME VOL	TOTAL VOL
8115	675	8790

CONFIDENTIAL PROPERTY OF  
 POLY PROCESSING COMPANY  
 NOT FOR REPRINT OR USE  
 WITHOUT PERMISSION

DWG TITLE: 8100 GALLON IMFO TANK

SCALE: 1/4"=1'-0"

DATE: 6/29/10

DR: J. BRANTLEY  
 CK: W. MANUEL

SHEET: 1 OF 1  
 COMPUTER FILE: 1108100  
 REV: -

**POLY PROCESSING COMPANY, LLC**  
 Central Region  
 P.O. Box 4500 #1250  
 2251 Old Shreveport Rd.  
 Harvey, LA 70059  
 (504) 343-7500  
 FAX (504) 343-9795