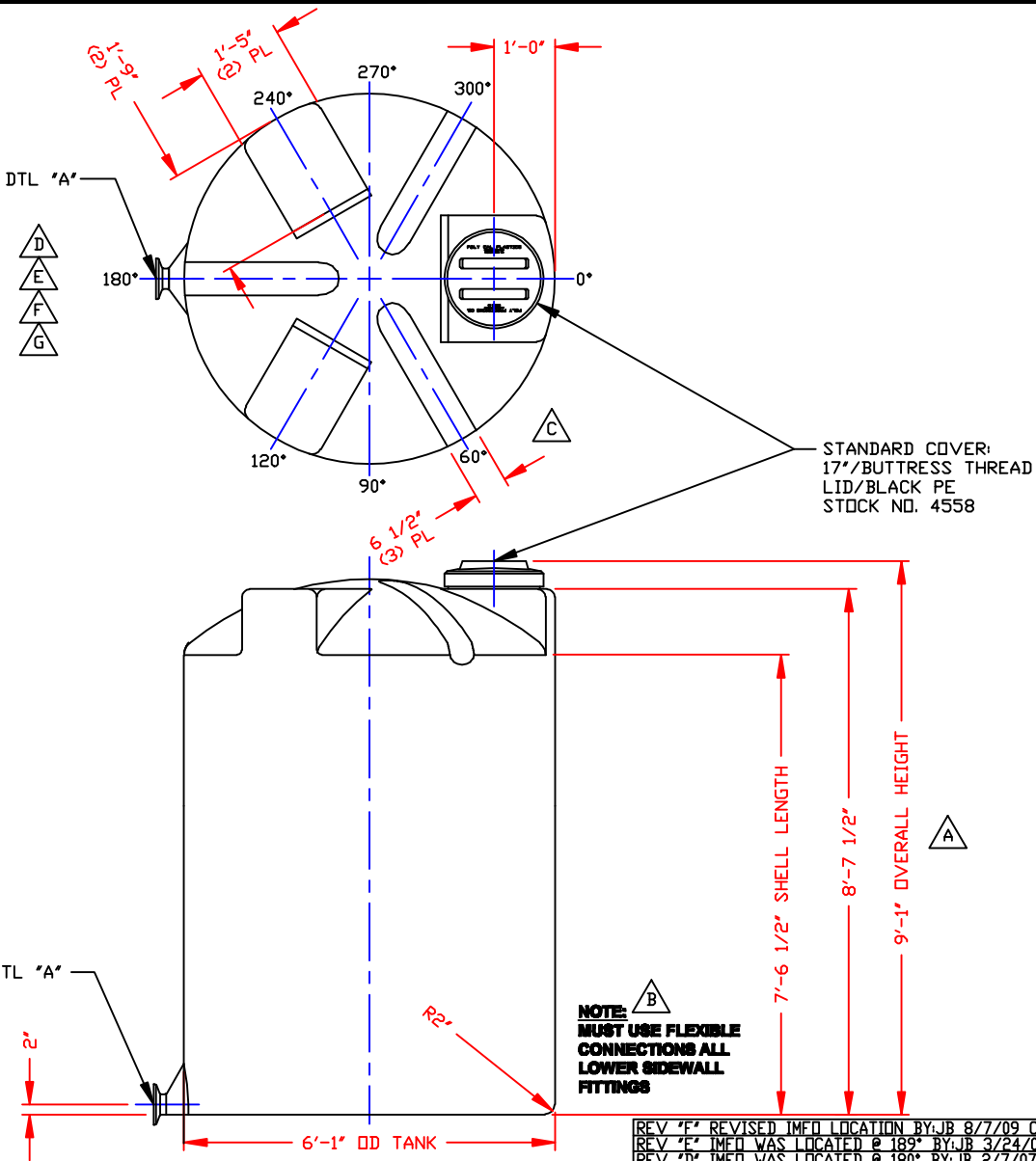
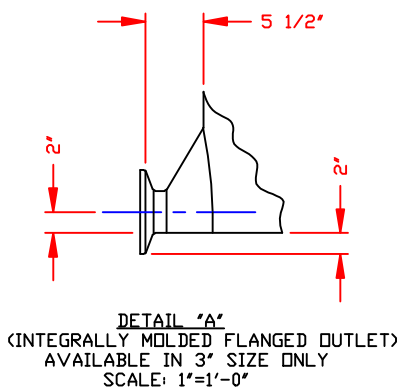


NON-CONTROLLED COPY
 INFORMATION SUBJECT TO CHANGE WITHOUT NOTICE
 VERIFY REV LEVEL OF PAPER COPY WITH REV LEVEL ON PPC WEB SITE



NOZZLE SCHEDULE & ACCESSORIES						
SERVICE	MK	STOCK NO.	SIZE	FITTING	DEG	ELEV



- NOTES**
1. THIS IS A COMPUTER GENERATED DWG. DO NOT REVISE BY HAND.
 2. DIMENSIONS WILL VARY ±3% DUE TO VARIATIONS IN MULTIPLE MOLDS & CONDITIONS PREVALENT DURING MANUFACTURE & USAGE.
 3. NO MOLDED IN GALLONAGE MARKERS THIS TANK.

CALCULATED CAPACITIES/ VOLUME IN U.S. GALLONS		
DESIGN CAP	DOME VOL	TOTAL VOL
1616	159	1775

CONFIDENTIAL PROPERTY OF
 POLY PROCESSING COMPANY
 NOT FOR REPRINT OR USE
 WITHOUT PERMISSION

DWG TITLE		1600 GALLON IMFO TANK	
SCALE:	1/2"=1'-0"		DR:
DATE:	3/7/00		CK:
			MB WILKERSON D. RECTOR
SHEET	COMPUTER FILE	REV	
1 OF 1	11101600	G	

NOTE: MUST USE FLEXIBLE CONNECTIONS ALL LOWER SIDEWALL FITTINGS

REV "F" REVISED IMFO LOCATION BY:JB 8/7/09 CK:WM
 REV "F" IMFO WAS LOCATED @ 189" BY:JB 3/24/08 CK:KB
 REV "D" IMFO WAS LOCATED @ 180" BY:JB 2/7/07 CK:MBW
 REV "C" CORRECTED DOME DIMENSIONS BY:MBW 3/10/03 CK:JB
 REV "B" ADDED FITTING NOTE BY:JB 2/27/03 CK:MBW
 REV "A" ADDED DIMENSION BY:JB 10/18/02 CK:MBW

REV "F" REVISED IMFO LOCATION BY:JB 2/11/10 CK:WM